

FEATURES

- Compact aluminium flanged bodied single flow valves for petrol vending applications
- Minimum operating differential pressure 0,35 bar
- Explosion proof operators, intended for use in potential explosive areas, according to Directive ATEX 94/9/EC
- Easy electrical installation by means of the moulded-in supply cable, standard length 2 meter
- ASCO Numatics components satisfy all relevant EC directives

GENERAL

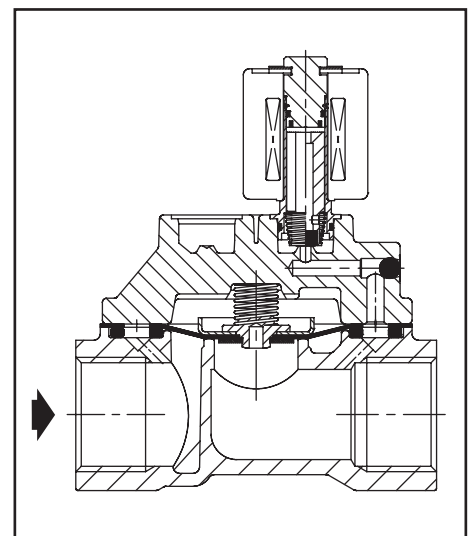
Differential pressure 0,35 - 3,5 bar [1 bar = 100kPa]
Ambient temperature range AC: -40 to +65°C
 DC: -40 to +40°C

fluids (*)	temperature range (TS)	seal materials (*)
Petrol & Liquid fuels	-20 to +40°C	FPM (fluoroelastomer) / VMQ (silicone)

MATERIALS IN CONTACT WITH FLUID

(*) Ensure that the compatibility of the fluids in contact with the materials is verified

Body	Aluminium
Core tube	Stainless steel
Core and plugnut	Stainless steel
Springs	Stainless steel
Seat	Aluminium
Sealing	FPM / VMQ
Disc & O-Rings	FPM
Diaphragm Support	POM
Shading Ring (AC only)	Copper



ELECTRICAL CHARACTERISTICS

Coil insulation class F
Electrical safety IEC 335
Standard voltages DC (=) 24V - 48V;
 AC (~) 24V - 48V - 115V - 230V / 50 Hz

prefix option	power ratings		operator ambient temperature range (TS) (C°)	safety code	electrical enclosure protection (EN 60529)	replacement coil		type ⁽¹⁾
	holding ~	hot/cold =				~	=	
	(W)	(W)				230V/50/60 Hz	24V/DC	
PV	4,0	5,0 / 6,9	-40 to +40/60	II 2 G Ex mb II T3 / T4	moulded IP67	-	⁽²⁾	01 & 02

⁽¹⁾ Refer to the dimensional drawings on page 8

⁽²⁾ Multiple coils kits available under ATEX, contact us

- Not available

SPECIFICATIONS

pipe size	orifice size (mm)	flow coefficient Kv (m³/h) (l/min)		operating pressure differential (bar) min max. PS ~ =			prefix optional solenoids *					basic catalogue number	
							NEMA 7&9	ATEX / IECEx					IP65
								EF	Ex d NF	Ex e mb EM	Ex mb PV		
NC - Normally closed													
3/4	19,5	7,3	122	0,35	3,5	3,5	-	-	-	●	-	-	G293A001
3/4	25	9,5	158	0,35	3,5	3,5	-	-	-	●	-	-	G293B002
1	25	11,5	192	0,35	3,5	3,5	-	-	-	●	-	-	G293B003

● Available feature

- Not available

* For description of solenoids see pages 31-40

INSTALLATION

- The valves can be mounted in any position without affecting operation
- Pipe connection identifiers: G = pipe thread according to ISO 228/1
- Installation/maintenance instructions are included with each valve
- PV solenoids have a standard cable length of 2 meters. Other lengths in full meters are available on request

DIMENSIONS (mm), WEIGHT (kg)



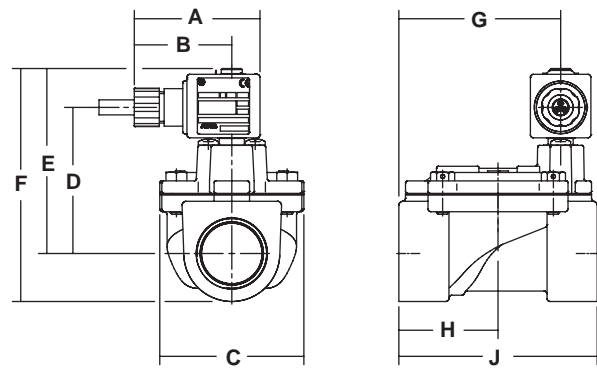
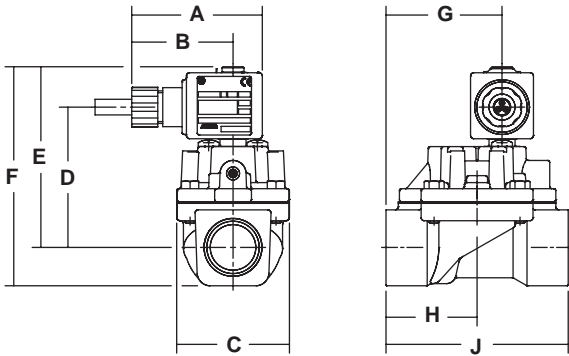
TYPE 01
 Preâx "PV" Solenoid
 Epoxy encapsulated
 EN-IEC 60079-0, 60079-18, 61241-0, 61241-18
 II 2 G/D Ex mb II / Ex mD
 IP67

G293A001



TYPE 02
 Preâx "PV" Solenoid
 Epoxy encapsulated
 EN-IEC 60079-0, 60079-18, 61241-0, 61241-18
 II 2 G/D Ex mb II / Ex mD
 IP67

G293B002 / B003



type	AC/DC	prefix option	catalogue number	spare parts kits	A	B	C	D	E	F	G	H	J	weight
01	~ / =	PV	G293A001	320191	60	47	52	65	83	101	53	42	84	0,9 Kg
02	~ / =		G293B002	320197 / 320198	60	47	69	70	89	112	73	48	95	0,9 Kg
	~ / =		G293B003	320197 / 320198	60	47	69	70	89	112	73	48	95	0,9 Kg