

### FEATURES

- Compact aluminium flanged bodied dual flow valves for petrol vending applications
- Valve offers three flow positions, i.e. full flow, low flow, and shut off
- Minimum operating differential pressure 0,35 bar
- Explosion proof operators, intended for use in potential explosive areas, according to Directive ATEX 94/9/EC
- Easy electrical installation by means of the moulded-in supply cable, standard length 2 meter
- ASCO Numatics components satisfy all relevant EC directives

### GENERAL

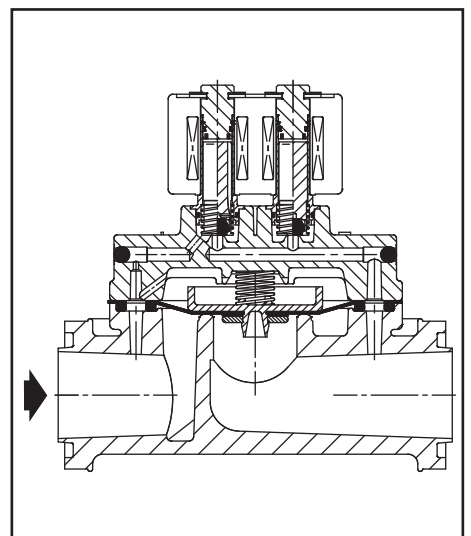
**Differential pressure** 0,35 - 3,5 bar [1 bar = 100kPa]  
**Ambient temperature range** AC: -40 to +65°C  
 DC: -40 to +40°C

fluids (*)	temperature range (TS)	seal materials (*)
Petrol & Liquid fuels	-40 to +40°C	FPM (fluoroelastomer) / VMQ (silicone)

### MATERIALS IN CONTACT WITH FLUID

(\*) Ensure that the compatibility of the fluids in contact with the materials is verified

<b>Body</b>	Aluminium
<b>Core tube</b>	Stainless steel
<b>Core and plugnut</b>	Stainless steel
<b>Springs</b>	Stainless steel
<b>Seat</b>	Aluminium
<b>Sealing</b>	FPM / VMQ
<b>Disc &amp; O-Rings</b>	FPM
<b>Diaphragm Support</b>	POM
<b>Shading Ring (AC only)</b>	Copper



### ELECTRICAL CHARACTERISTICS

**Coil insulation class** F  
**Electrical safety** IEC 335  
**Standard voltages** DC (=) 24V - 48V;  
 AC (~) 24V - 48V - 115V - 230V / 50 Hz

prefix option	power ratings		operator ambient temperature range (TS) (C°)	safety code	electrical enclosure protection (EN 60529)	replacement coil		type <sup>(1)</sup>
	holding ~ (W)	hot/cold = (W)				~	=	
	230V/50/60 Hz	24V/DC						
PV	4,0	5,0 / 6,9	-40 to +65	II 2 G Ex mb II T3	moulded IP67	-	<sup>(2)</sup>	01

<sup>(1)</sup> Refer to the dimensional drawings on page 12

<sup>(2)</sup> Multiple coils kits available under ATEX, contact us  
 - Not available

### SPECIFICATIONS

pipe size	orifice size (mm)	flow coefficient Kv				operating pressure differential (bar)			prefix optional solenoids *						basic catalogue number
		Low (m³/h)   (l/min)		High (m³/h)   (l/min)		min	max. PS ~ =		NEMA 7&9 EF	ATEX / IECEx			IP65 SC		
		Ex d	Ex e mb	Ex mb	EEx nA										
T	(mm)	(m³/h)	(l/min)	(m³/h)	(l/min)				EF	NF	EM	PV	ZN	SC	
<b>NC - Normally closed</b>															
1	25	0,12	2,0	11,5	192	0,35	3,5	3,5	-	-	-	●	-	-	T292B025

● Available feature  
 - Not available

\* For description of solenoids see pages 31-40

### INSTALLATION

- The valves can be mounted in any position without affecting operation
- Pipe connection identifiers: T = Flanged body
- Installation/maintenance instructions are included with each valve
- PV solenoids have a standard cable length of 2 meters. Other lengths in full meters are available on request

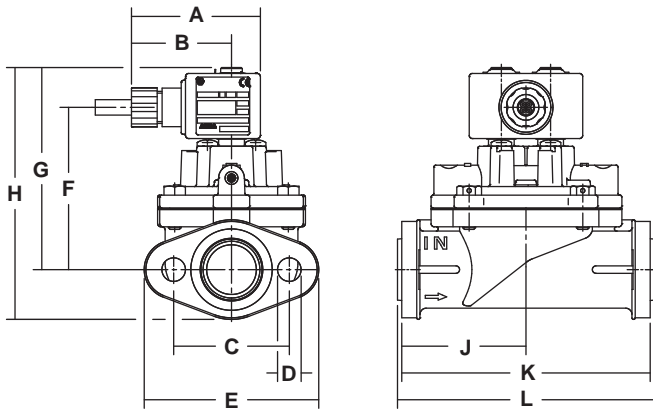
### DIMENSIONS (mm), WEIGHT (kg)



#### TYPE 01

Prefix "PV" Solenoid  
Epoxy encapsulated  
EN-IEC 60079-0, 60079-18, 61241-0, 61241-18  
II 2 G/D Ex mb II / Ex mD  
IP67

T292B025



type	AC/DC	prefix option	catalogue number	spare parts kits	A	B	C	D	E	F	G	H	J	K	L	weight
01	~/=	PV	T292B025	320180 / 320196	60	47	54	Ø11	82	76	94	118	58	116	120	1,0 Kg