

### FEATURES

- Miniature solenoid valves for medical and gas analysers and biotechnology equipment
- Designed to control acids, bases and analytical reagents
- Hermetic separation of control mechanism and fluid:
  - Prevents particulate contamination caused by friction of moving parts, assuring maximum purity of fluid
  - Ensures reliable operation in applications with highly aggressive fluids
- Reduced heat transfer between control mechanism and fluid
- Good self-draining capability and easy-to-flush internal cavity
- Low dead volume
- Power savings and reduced heat exchange due to special integrated electronics
- Easy installation
- High-quality materials and thorough testing offer high reliability and an unprecedented service life

### GENERAL

<b>Differential pressure</b>	-0,9 to +3 bar (usable in 0,1 bar abs. vacuum) [1 bar =100 kPa]
<b>Maximum viscosity</b>	20 cSt (mm <sup>2</sup> /s)
<b>Response time</b>	< 10 ms
<b>Dead volume</b>	< 13 µl (connections not included)

fluids (*)	temperature range (TS)	seal materials (*)
liquids or gases (filtered 50 µm)	+10°C to +40°C <sup>(3)</sup>	FFPM (perfluoroelastomer)

### MATERIALS IN CONTACT WITH FLUID

(\*) Ensure that the compatibility of the fluids in contact with the materials is verified

<b>Body</b>	PEEK
<b>Diaphragm</b>	FFPM
<b>Seals</b>	FFPM
<b>Long flange</b>	PEEK

### OTHER MATERIALS

**Internal parts** Stainless steel

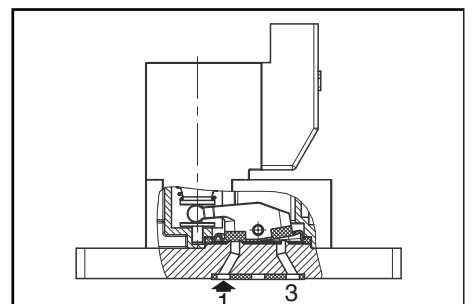
### ELECTRICAL CHARACTERISTICS

**Coil insulation class** F  
**Connector** 2 contacts (5,08 mm pin spacing) for plug-type connector with 2 lead wires (0,5 mm<sup>2</sup>) <sup>(2)</sup> (EN 60335) or with cable ends, length 0,5 m

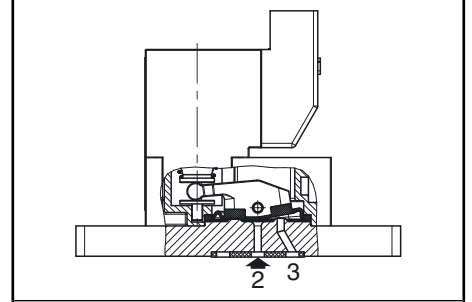
**Electrical safety** IEC 335  
**Electrical enclosure protection** IP40 (EN 60529) with built-in LED and electrical protection  
**Standard voltages** DC (=) : 12V - 24V  
 (Other voltages on request)

prefix option	power ratings				operator ambient temperature range (TS) (C°)	replacement coil	type <sup>(1)</sup>
	inrush		holding				
	(VA)	(W)	(VA)	(W)			
SC	-	-	-	2,5 / 1	+10 to +50	-	01-02
L	-	-	-	2,5 / 1	+10 to +50	-	03

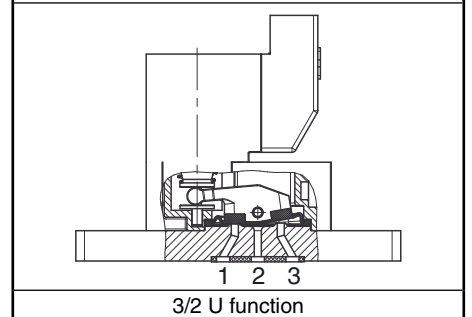
<sup>(1)</sup> Refer to the dimensional drawings on the page 3.  
<sup>(2)</sup> Plug-type connectors with 0,5m, 1,5 m or 5 m lead wires to be ordered separately, see page 2.  
<sup>(3)</sup> Seals and diaphragm: FPM, +10°C to +40°C / EPDM, +5°C to +40°C.  
<sup>(4)</sup> With integrated electronic card with power-save function, 1 W after 15 ms of operation.



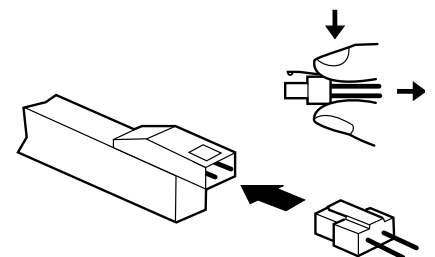
2/2 NC function



2/2 NO function



3/2 U function



Version designed for 2-wire plug-type connector with 5,08 mm pin spacing

### SPECIFICATIONS

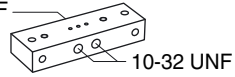
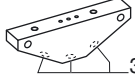
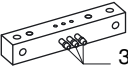
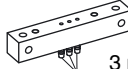
pipe size	orifice size (mm)	flow coefficient Kv (m <sup>3</sup> /h) (l/min)		operating pressure differential (bar)		power coil (W)	catalogue number			options		
				min.	max. (PS)		designed for 5,08 mm connector <sup>(1)</sup>		with cable ends	FPM	EPDM	
					gases liquids (*)		horizontal connection	vertical connection				
					=	=	=	=	=			
<b>2/2 NC - Normally closed</b>												
pad mounting	0,6	0,006	0,1	-0,9	3	1	SCS067A021	SCS067A022	LS067A025	V	E	-
	0,8	0,010	0,18	-0,9	2	1	SCS067A026	SCS067A027	LS067A030	V	E	-
	1	0,017	0,29	-0,9	1,5	1	SCS067A031	SCS067A032	LS067A035	V	E	-
	1,35	0,026	0,44	-0,9	1	1	SCS067A036	SCS067A037	LS067A040	V	E	-
<b>2/2 NO - Normally open</b>												
pad mounting	0,6	0,006	0,1	-0,9	3	1	SCS067A061	SCS067A062	LS067A065	V	E	-
	0,8	0,010	0,18	-0,9	2	1	SCS067A066	SCS067A067	LS067A070	V	E	-
	1	0,017	0,29	-0,9	1,5	1	SCS067A071	SCS067A072	LS067A075	V	E	-
	1,35	0,026	0,44	-0,9	1	1	SCS067A076	SCS067A077	LS067A080	V	E	-
<b>3/2 U - Universal</b>												
pad mounting	0,6	0,006	0,1	-0,9	3	1	SCS067A101	SCS067A102	LS067A105	V	E	-
	0,8	0,010	0,18	-0,9	2	1	SCS067A106	SCS067A107	LS067A110	V	E	-
	1	0,017	0,29	-0,9	1,5	1	SCS067A111	SCS067A112	LS067A115	V	E	-
	1,35	0,026	0,44	-0,9	1	1	SCS067A116	SCS067A117	LS067A120	V	E	-

<sup>(1)</sup> Plug-type connector, 5,08 mm pin spacing, with 2 lead wires:

- length 0,5 m catalogue number **88118801**
- length 1,5 m catalogue number **88118802**
- length 3 m catalogue number **88118803**



### SUBBASES

pipe size	mounting type	description	composition	catalogue number
<b>Single PEEK subbases</b>				
10-32 UNF	individual	side connection	10-32 UNF 	<b>36100038</b>
1/4-28 UNF	individual	bottom connection	 3 x 1/4-1/8 UNF	<b>36100040</b>
Push-in connections O.D. 2,1 mm for flexible tube	individual	side connection	 3 push-in connections O.D. 2,1mm	<b>36100044</b>
		bottom connection	 3 push-in connections O.D. 2,1mm	<b>36100042</b>

### OPTIONS

- Valves can also be supplied with FPM (fluoroelastomer) and EPDM (ethylene-propylene) seals and diaphragm. Use the appropriate optional suffix letter for identification
- Plug-type connector, 0,5 m lead wires (catalogue number **88118801**) / 1,5 m lead wires (catalogue number **88118802**) / 3 m lead wires (catalogue number **88118803**)
- Impulse manual operator

### INSTALLATION

- The solenoid valves can be mounted in any position without affecting operation
- Flange body provided with 2 mounting holes
- Pad-mounting solenoid valve supplied with seals for mounting on single subbase with threaded or push-in hose connections

### ORDERING EXAMPLES:

SC	S	067	A	021	12V / DC
SC	S	067	A	022	V 24V / DC
SC	S	067	A	061	12V / DC
L	S	067	A	025	24V / DC

prefix — pipe thread — basic number — voltage — suffix

### DIMENSIONS (mm), WEIGHT (kg)



#### TYPE 01

Prefix "SC" Solenoid  
IEC 335 / horizontal connection 5,08 mm  
IP40  
Weight: 0,18

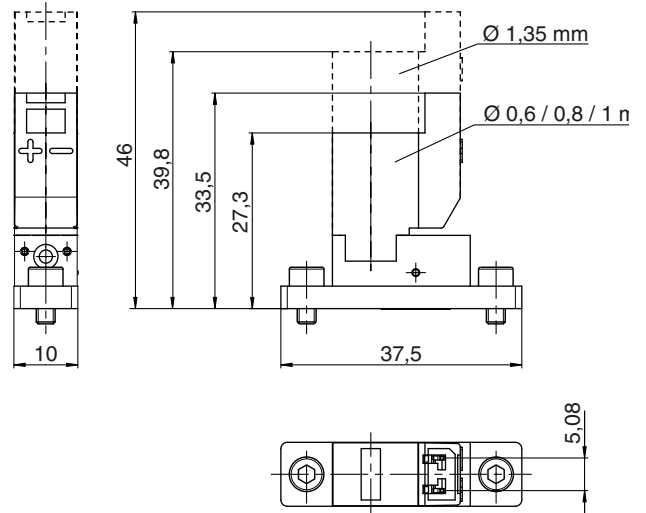
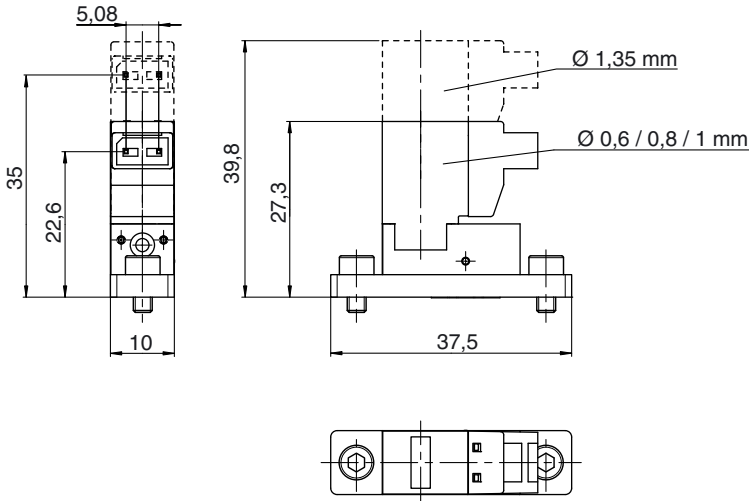
Ø 0,6/0,8/1 mm: SCS067A021/026/031/061/066/071/101/106/111  
Ø 1,35 mm: SCS067A036/076/116



#### TYPE 02

Prefix "SC" Solenoid  
IEC 335 / vertical connection 5,08 mm  
IP40  
Weight: 0,18

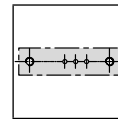
Ø 0,6/0,8/1 mm: SCS067A022/027/032/062/067/072/105/107/112  
Ø 1,35 mm: SCS067A037/077/117



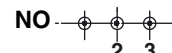
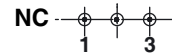
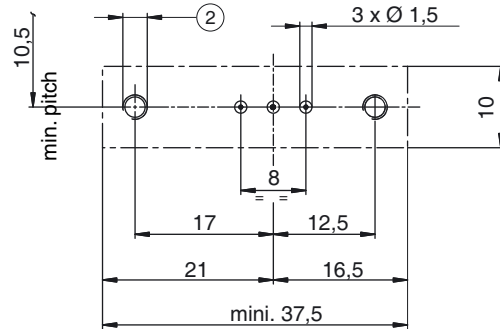
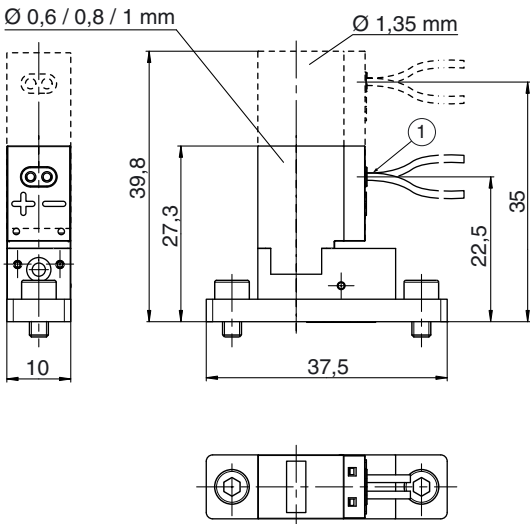
#### TYPE 03

Prefix "L" solenoid  
IEC 335 / cable ends, length 0,5 m  
IP40  
Weight 0,22

Ø 0,6/0,8/1 mm: LS067A025/030/035/065/070/075/105/110/115  
Ø 1,35 mm: LS067A040/080/120



#### MOUNTING PAD



- ① 2 wires, length 0,5 m
- ② 2 mounting holes Ø M3, depth 5 mm

type	prefix option	weight <sup>(1)</sup>
01-02	SC	0,18
03	L	0,22

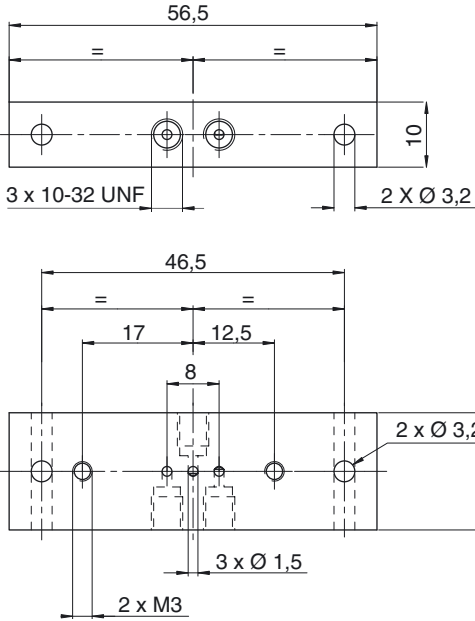
<sup>(1)</sup> Type 01- 02: without plug-type connector  
Type 03: with 0,5 m cable ends

### DIMENSIONS (mm), WEIGHT



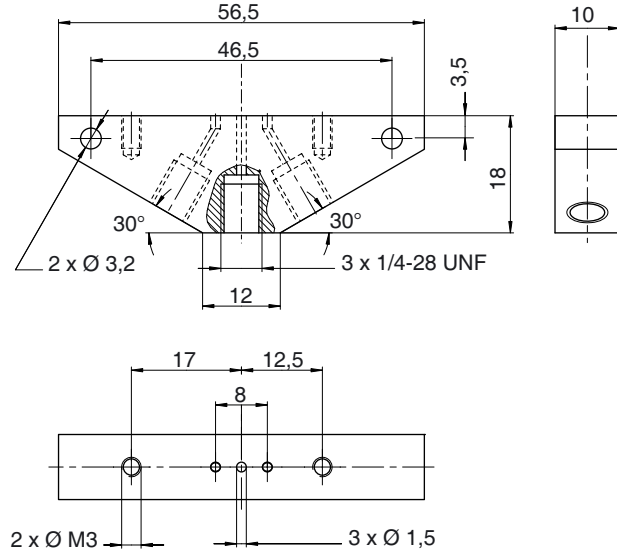
**Single subbase with threaded connections**  
Side connection  
10-32 UNF thread  
PEEK

36100038



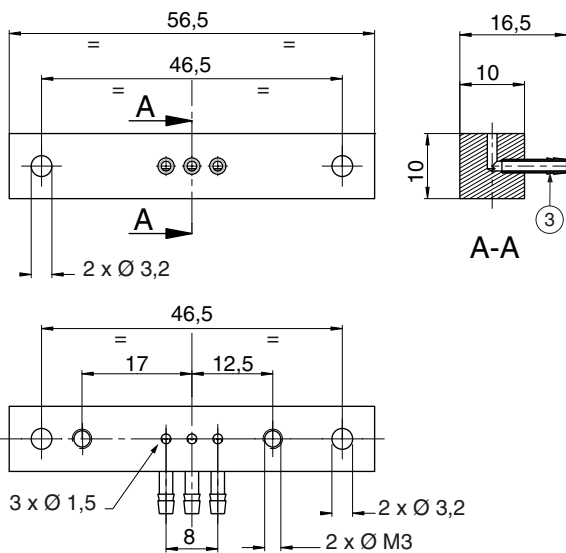
**Single subbase with threaded connections**  
Bottom connection  
1/4-28 UNF thread  
PEEK

36100040



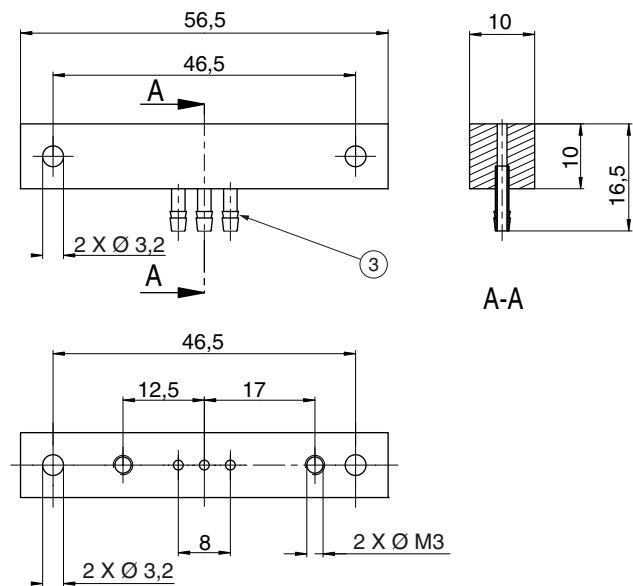
**Single subbase with push-in hose connections**  
Side connection  
Push-in connection O.D. 2,1mm  
PEEK

36100044



**Single subbase with push-in hose connections**  
Bottom connection  
Push-in connection O.D. 2,1mm  
PEEK

36100042



③ Push-in connection O.D. 2,1 mm for flexible tube