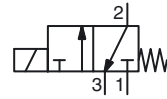




SOLENOID VALVES

direct operated, quick switching
threaded or pad-mount body
M5

NC



3/2
Series
065

FEATURES

- Miniature solenoid valve for medical analyzers, gas analyzers and leak detectors
- New flat-spring technology ensures no contamination of fluids (no friction)
- Suitable for the control of gases
- The valves have a service life of more than 1 billion cycles when used with neutral gas
- Short response times
- Easy to integrate thanks to the valves' small size
- Available in a variety of versions for a wide range of applications: threaded connections or pad-mount for installation on multiple manifolds
- Vacuum application up to 0,1 bar abs. (0,6 mm and 1 mm dia. orifice sizes)

GENERAL

Differential pressure See «SPECIFICATIONS» [1 bar =100 kPa]
Maximum viscosity 20 cSt (mm²/s)
Response time < 10 ms
Internal volume ≤ 350 µl (couplings not included)

fluids (*)	temperature range (TS)	seal materials (*)
air, inert gases (filtered 50 µm)	0°C to + 60°C	FPM (fluoroelastomer) (2)

MATERIALS IN CONTACT WITH FLUID

(*) Ensure that the compatibility of the fluids in contact with the materials is verified

Body Stainless steel, AISI 303 (1.4305)
Plugnut Stainless steel
Spring disc Stainless steel
Seat Stainless steel
Seals FPM
Disc FPM

ELECTRICAL CHARACTERISTICS

Coil insulation class F
Connection Cable leads (ETFE); 0,35 m length
Electrical safety IEC 335
Electrical enclosure protection IP40 (EN 60529)
Standard voltages DC (=): 6V - 12V - 24V

prefix option	power ratings				operator ambient temperature range (TS) (C°)	replacement coil	type (1)
	inrush ~	holding ~	hot/cold =				
	(VA)	(VA)	(W)	(W)			
L	-	-	-	2,1 / 2,1	0 to + 60	-	01

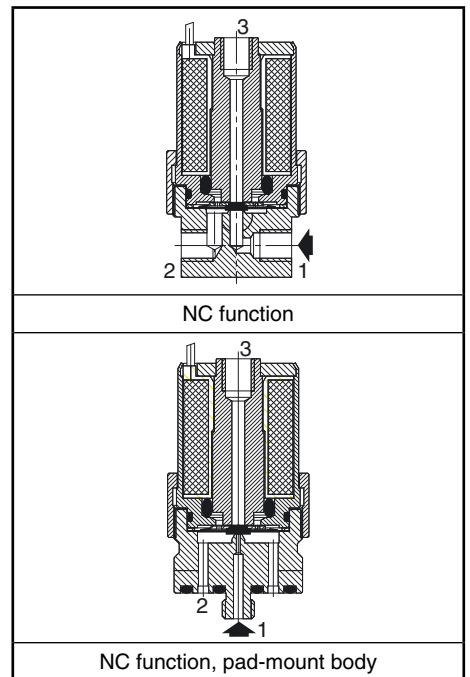
(1) Refer to the dimensional drawings on the following page.

SPECIFICATIONS

pipe size	orifice size (mm)	flow coefficient Kv (m ³ /h) (l/min)		operating pressure differential (bar)		power coil (W)	catalogue number	
				min.	max. (PS)		threaded	pad-mount body
					air, inert gases (*)			
NC - Normally closed				=	=	=	=	
M5 (3)	0,6	0,013	0,22	0	7	2,1	LE065A009V	LS065A009V
	1	0,025	0,43	0	5	2,1	LE065A010V	LS065A010V
	1,4	0,032	0,54	0	3	2,1	LE065A011V	LS065A011V
	2	0,057	0,95	0	1,5	2,1	LE065A012V	LS065A012V

(2) FFPM seals for corrosive fluids (Contact us).

(3) External thread with pad-mount body.



OPTIONS (on request)

- Other seal materials
- Response time 2-3 ms
- Oxygen service
- Other pipe connections are available
- 0,7 W rated coil

INSTALLATION

- The solenoid valves can be mounted in any position without affecting operation
- Threaded solenoid valves have 2 mounting holes in body
- Pad-mount valves and o-ring seals for multiple manifolds

ORDERING EXAMPLES:

L	E	065	A	009	V	6V / DC
L	E	065	A	010	V	24V / DC
L	S	065	A	009	V	12V / DC
L	S	065	A	011	V	6V / DC

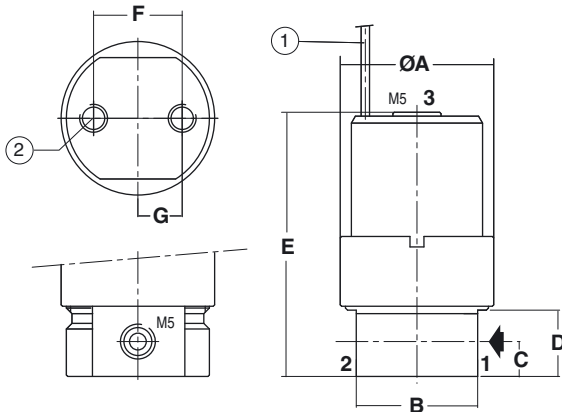
prefix pipe thread basic number voltage suffix

DIMENSIONS (mm), WEIGHT(kg)

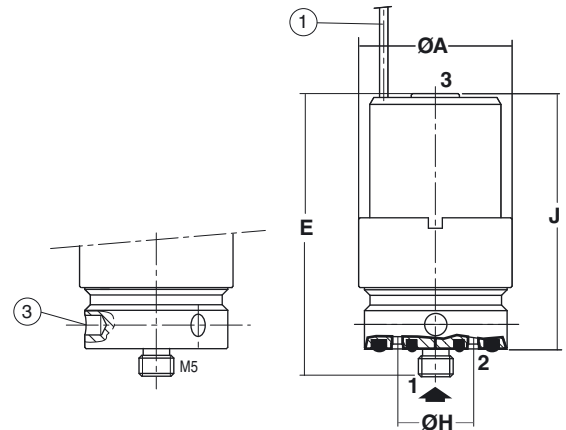


TYPE 01
Prefix "L" Solenoid
Cable ends
IP40

LE065A009V/010V/011V/012V

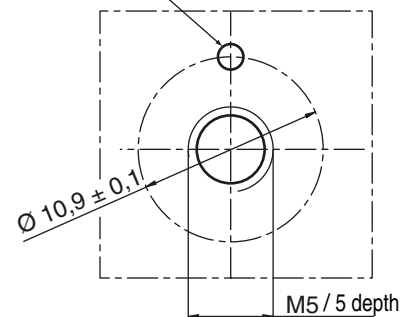


LS065A009V/010V/011V/012V



Mounting pad

max. $\varnothing 1,5 +0,05$



type	prefix option	catalogue number	A	B	C	D	E	F	G	H	J	weight ⁽¹⁾
01	L	LE065A009V/010V/011V/012V	22	17,4	5	9,5	38	12,7	6,35	-	-	0,068
		LS065A009V/010V/011V/012V	22	-	-	-	41	-	-	10,9	37	0,066

⁽¹⁾ Including leads, length 0,35 m.

- ① 2 electrical supply wires, length: 0,35 m.
- ② 2 mounting holes \varnothing M4, depth 6 mm.
- ③ Mounting with hook spanner wrench DIN 1810B.