

FEATURES

- Solenoid valves for medical analysers, biotechnology and chemical industry
- Bi-directional operation provided up to 1 bar
- Flow restrictor built into the valve body (range of 10 to 100%)
- Any application where the fluid may not come into contact with the electromagnetic control section of the solenoid valves
- The solenoid valves are ideal for controlling aggressive fluids and have easy to flush internal cavities
- The solenoid valves satisfy all relevant EC directives

GENERAL

Differential pressure See «SPECIFICATIONS» [1 bar = 100 kPa]
Maximum viscosity 37 cSt (mm²/s)
Response time 20 ms

fluids (*)	temperature range (TS)	seal materials (*)
air, inert gases, water, oil and liquids	- 10°C to + 80°C	FPM (fluoroelastomer)

MATERIALS IN CONTACT WITH FLUID

(*) Ensure that the compatibility of the fluids in contact with the materials is verified

Body Glass fibre filled PP
Diaphragm FPM

OTHERS MATERIALS

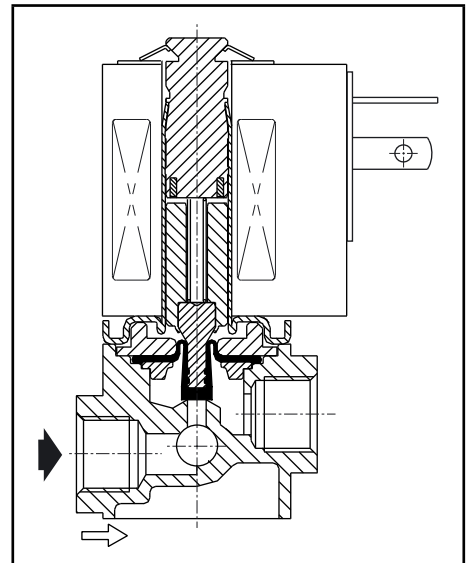
Internal parts Stainless steel

ELECTRICAL CHARACTERISTICS

Coil insulation class F
Connector Spade plug (cable Ø 6-10 mm)
Connector specification ISO 4400 / EN 175301-803, form A
Electrical safety IEC 335
Electrical enclosure protection Moulded IP65 (EN 60529)
Standard voltages DC (=) : 12V - 24V
 (Other voltages and 60 Hz on request) AC (~) : 24V - 115V - 230V / 50 Hz

prefix option	power ratings				operator ambient temperature range (TS) (C°)	replacement coil		type ⁽¹⁾
	inrush ~	holding ~	hot/cold =			~	=	
	(VA)	(VA)	(W)	(W)		230 V/50 Hz	24 V DC	
SC	23	14	8	9	-10 to + 60	43005149	43005144	01

⁽¹⁾ Refer to the dimensional drawings on the following page.



SPECIFICATIONS

pipe size	orifice size (mm)	flow coefficient Kv (m ³ /h) (l/min)		operating pressure differential (bar)				power coil (W)		catalogue number		
				min.	max. (PS)							
					air, inert gases (*)		liquids (*)					
G	(mm)	(m ³ /h)	(l/min)		~	=	~	=	~	=		
NC - Normally closed												
1/4	4,5	0,45	7,5	0	1	1	1	1	8	9	SCG282A005	

OPTIONS

- Plug with visual indication and peak voltage suppression or with cable length of 2 m (see Solenoids, Coils & Accessories section)

INSTALLATION

- The solenoid valves can be mounted in any position without affecting operation. For optimum performance mount solenoid vertical and upright
- Pipe connection identifier is G = G (ISO 228/1)
- Installation/maintenance instructions are included with each valve
- Replacement coils are available:
8 W/9 W (AMX): DC, 12 V, catalogue number **43005143**, AC, 24 V, catalogue number **43005146** ; 115 V, catalogue number **43005147**

SPARE PARTS KIT & ACCESSORIES

catalogue number	spare parts kit no.	
	~	=
SCG282A005	C140097	C140097

ORDERING EXAMPLES:

SC	G	282	A	005	24V / DC
SC	G	282	A	005	230V / 50 Hz
prefix	pipe thread	basic number			voltage
					suffix

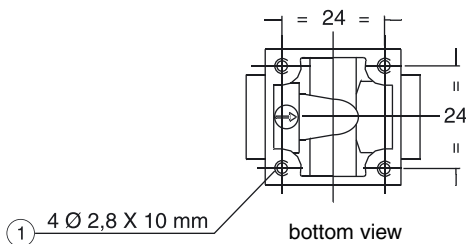
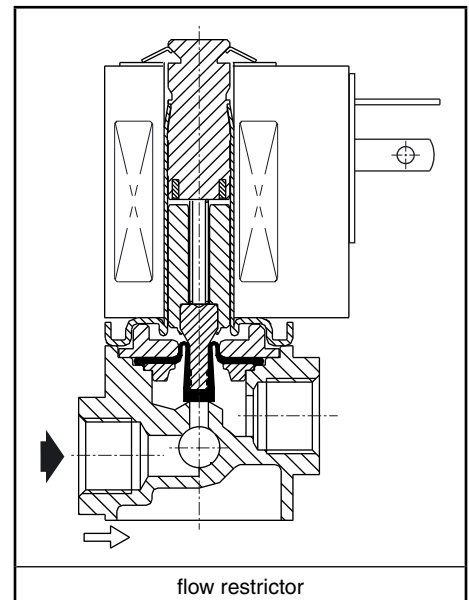
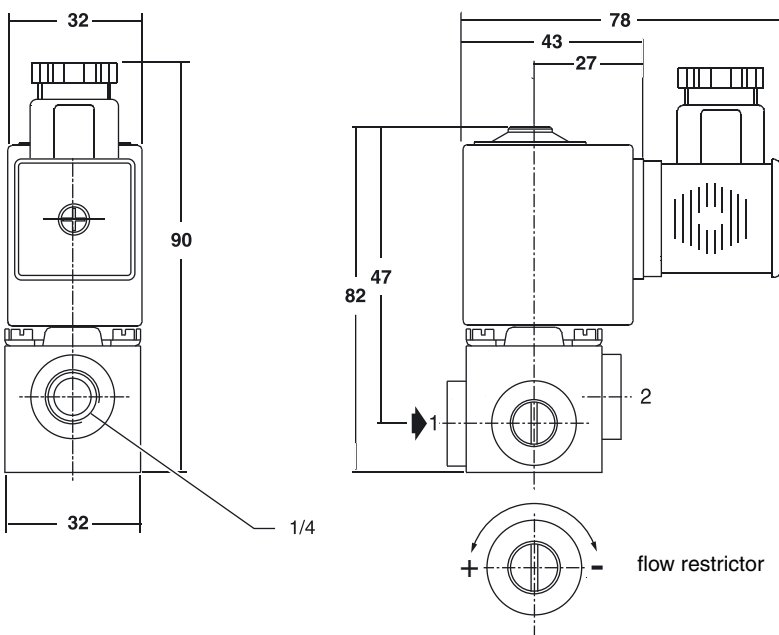
ORDERING EXAMPLES KITS:

	C140097
basic number	

DIMENSIONS (mm), WEIGHT (kg)

TYPE 01
Prefix "SC" Solenoid
Epoxy moulded
IEC 335 / ISO 4400
IP65

SCG282A005



type	prefix option	weight ⁽¹⁾
01	SC	0,32

⁽¹⁾ Only use self-tapping screws suitable for plastic materials.

⁽¹⁾ Incl. coil(s) and connector(s).