

FEATURES

- Solenoid valves for medical analysers, biotechnology and chemical industry
- Any application where the fluid may not come into contact with the electromagnetic control section of the solenoid valves
- The solenoid valves are ideal for controlling aggressive fluids and have easy to flush internal cavities
- The solenoid valves satisfy all relevant EC directives

GENERAL

Differential pressure	See «SPECIFICATIONS» [1 bar = 100 kPa]
Maximum viscosity	37 cSt (mm ² /s)
Response time	10 ms (SCE282B001) ; 20 ms (SCG282B003)
Dead volume	< 70 µl (coupling not included)

fluids (*)	temperature range (TS)	seal materials (*)
air, inert gases, water, oil and liquids	- 10°C to + 100°C	VMQ (silicone)

MATERIALS IN CONTACT WITH FLUID

(*) Ensure that the compatibility of the fluids in contact with the materials is verified

Body	Stainless steel AISI 316 or PVDF (polyvinylidene fluoride)
Diaphragm	VMQ, FPM or EPDM

OTHERS MATERIALS

Internal parts	Stainless steel
-----------------------	-----------------

ELECTRICAL CHARACTERISTICS

Coil insulation class	F
Connector	Spade plug (cable Ø 4-6 mm or Ø 6-10 mm)
Connector specification	

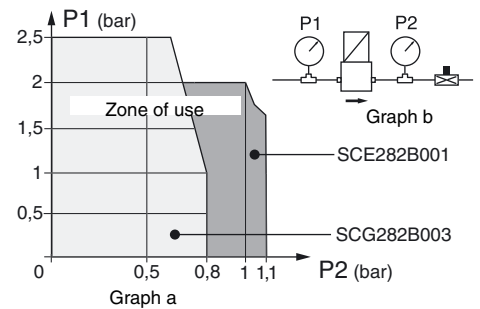
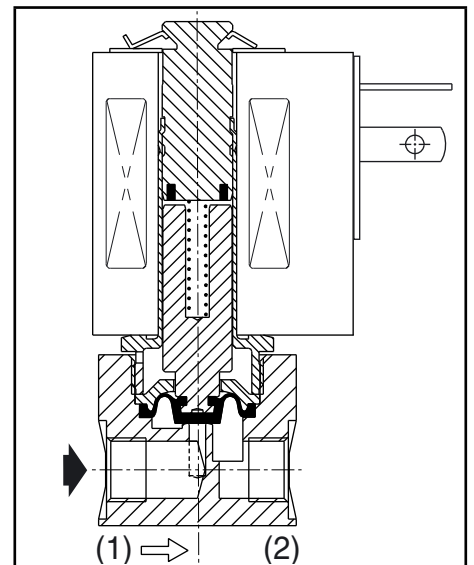
2,5 W (DMX)	DIN 43650, 9,4 mm, industry standard B
8 W /9 W (ANX)	ISO 4400 / EN 175301-803, form A

Electrical safety	IEC 335
Electrical enclosure protection	Moulded IP65 (EN 60529)

Standard voltages	DC (=) : 12V - 24V
(Other voltages on request)	AC (~) : 24V - 115V - 230V / 50 Hz

prefix option	power ratings				operator ambient temperature range (TS) (C°)	replacement coil		type ⁽¹⁾
	inrush ~	holding ~	hot/cold =			~	=	
	(VA)	(VA)	(W)	(W)		230 V/50 Hz	24 V DC	
SC	-	-	-	2,5	-10 to + 60	-	43005189	01
	23	14	8	9	-10 to + 60	43005275	43005272	02

⁽¹⁾ Refer to the dimensional drawings on the following page.



SPECIFICATIONS

pipe size	orifice size (mm)	flow coefficient Kv (m ³ /h) (l/min)		operating pressure differential (bar)				power coil (W)		catalogue number		FPM	EPDM			
				max. (PS)						stainless steel	PVDF					
				air, inert gases (*)		liquids (*)										=
NC - Normally closed																
M5	1,6	0,04	0,66	0	-	2 ⁽²⁾	-	2 ⁽²⁾	-	2,5	SCE282B001	-	V	E		
G 1/8	4	0,32	5,33	0	2,5 ⁽²⁾	2,5 ⁽²⁾	2,5 ⁽²⁾	2,5 ⁽²⁾	8	9	-	SCG282B003	V	E		

⁽²⁾ See graphs (a) and (b) variation of inlet pressure (P2) for outlet pressure (P1) maintained.

OPTIONS

- Valves can also be supplied with FPM (fluoroelastomer) and EPDM (ethylene-propylene) seals. Use the appropriate optional suffix letter for identification
- Other pipe connections are available on request
- Plug with visual indication and peak voltage suppression or with cable length of 2 m (see Solenoids, Coils & Accessories section)

INSTALLATION

- The solenoid valves can be mounted in any position without affecting operation. For optimum performance mount solenoid vertical and upright
- Pipe connection identifier is G = G (ISO 228/1)
- Installation/maintenance instructions are included with each valve
- Replacement coils are available:
2,5 W (DMX): DC, 12 V, catalogue number **43005188**
8 W/9 W (ANX): DC, 12 V, catalogue number **43005271**, AC, 24 V, catalogue number **43005273** ; 115 V, catalogue number **43005274**

ORDERING EXAMPLES:

SC	E	282	B	001	24V / DC	
SC	G	282	B	003	115V / 50 Hz	
SC	G	282	B	003	V	230V / 50 Hz

prefix — SC
 pipe thread — G
 basic number — 282 B 003
 voltage — 24V / DC, 115V / 50 Hz, 230V / 50 Hz
 suffix — V

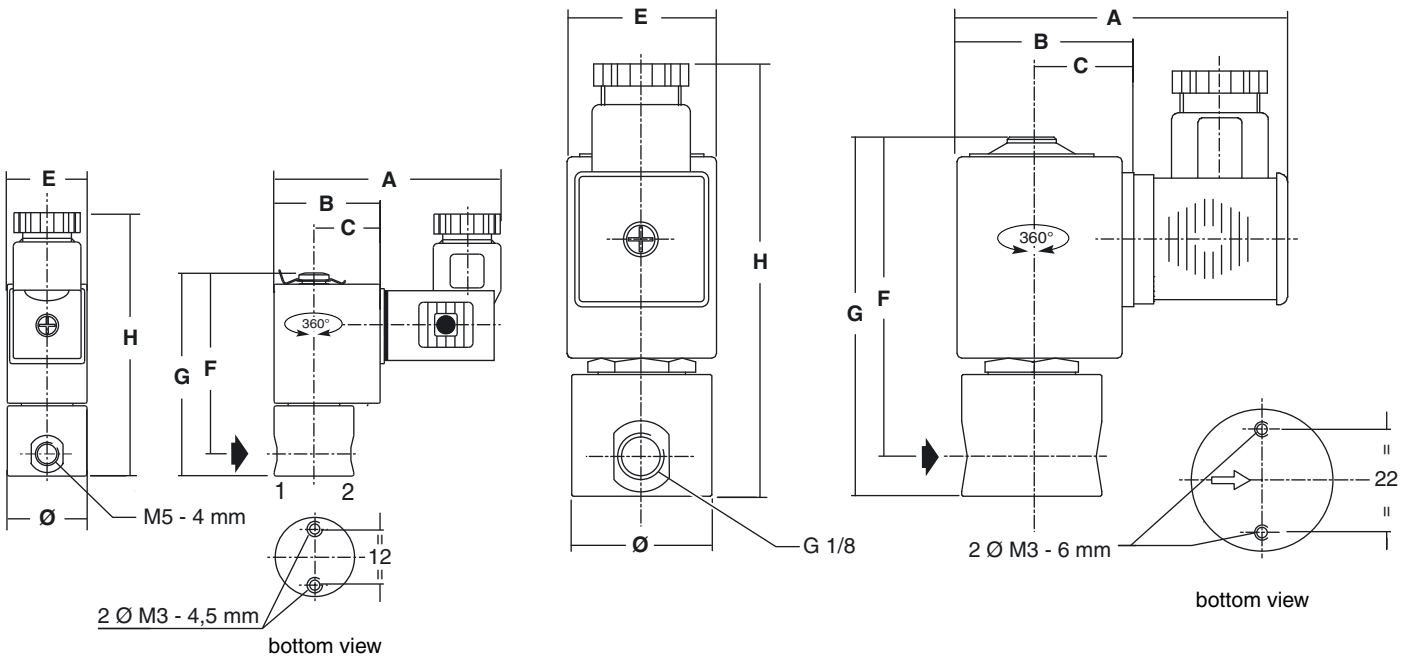
DIMENSIONS (mm), WEIGHT (kg)



TYPE 01
Prefix "SC" Solenoid
Epoxy moulded
IEC 335 / DIN 43650
IP65
SCE282B001



TYPE 02
Prefix "SC" Solenoid
Epoxy moulded
IEC 335 / ISO 4400
IP65
SCG282B003



type	prefix option	catalogue number	Ø	A	B	C	D	E	F	G	H	weight ⁽¹⁾
01	SC	SCE282B001	17	49,5	23,5	15	-	17	38,3	43	63	0,082
02	SC	SCG282B003	30	76,5	41,5	27	-	30	65	74	84	0,22

⁽¹⁾ Incl. coil(s) and connector(s).