

FEATURES

- Valve for the control of aggressive liquids and gases in the pharmaceutical, biochemical, photographic, chemical and analytical industries, in chip and wafer production
- The valve is suited for all applications in which the fluids must not come into contact with the metal parts (electromagnetic control of the solenoid valve)
- Bellows system made of PTFE and FFPM seals with high functional reliability
- The solenoid valves satisfy all relevant EC directives

GENERAL

Differential pressure See «SPECIFICATIONS» [1 bar = 100 kPa]
Maximum viscosity 40 cSt (mm²/s)

fluids (*)	temperature range (TS)	seal materials (*)
air, inert gases, water, oil and liquids	-10°C to + 90°C ⁽¹⁾	FFPM (perfluoroelastomer)

⁽¹⁾ Total ambient + fluid temperature must not exceed 130°C.

MATERIALS IN CONTACT WITH FLUID

(*) Ensure that the compatibility of the fluids in contact with the materials is verified

Body	PEEK (polyetheretherketone), or stainless steel, AISI 303 (1.4305)
Core tube	Stainless steel
Core and plugnut	Stainless steel
Springs	Stainless steel
Seals	FFPM
Bellows	PTFE

ELECTRICAL CHARACTERISTICS

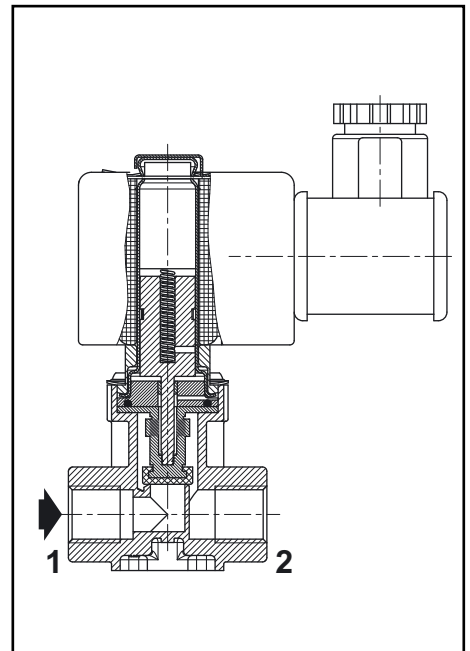
Coil insulation class	F
Connector	Spade plug
Connector specification	
for coil type 01	DIN 43650, 11 mm, industry standard B
for coil type 02	ISO 4400 / EN 175301-803, form A
Electrical safety	IEC 335
Electrical enclosure protection	Moulded IP65 (EN 60529)
Standard voltages	DC (=) : 24V AC (~) : 24V - 115V - 230V / 50 Hz

prefix option	power ratings				operator ambient temperature range (TS) (C°)	replacement coil		type ⁽¹⁾
	inrush ~	holding ~	hot/cold =			~	=	
	(VA)	(VA)	(W)	(W)		230 V/50 Hz	24 V DC	
SC	-	-	-	5 / 6,9	-10 to + 60	43004649	43004647	01
	55	23	10,5	9 / 11,2		400425-117	400425-142	02
	78	35	16,7	14 / 19,7		400425-217	400425-342	02

⁽¹⁾ Refer to the dimensional drawings on the following page.

SPECIFICATIONS

pipe size	orifice size	flow coefficient Kv		operating pressure differential (bar)				power coil (W)		catalogue number		options		
				min.	max. (PS)		FPM					V	-	-
					air inert gas (*)	liquids (*)								
G	(mm)	(m ³ /h)	(l/min)					~	=	PEEK	stainless steel			
NC - Normally closed														
1/4	2	0,11	1,8	0	3	3	-	6,9		SCG296A007	SCG296A021	V	-	-
					6	6	10,5	11,2	SCG296A008	SCG296A022	V	-	-	
	4	0,32	5,3	0	5	5	10,5	11,2	SCG296A009	SCG296A023	V	-	-	
					6	6	16,7	19,7	SCG296A010	SCG296A024	V	-	-	
3/8	6	0,73	12,2	0	2	2	10,5	11,2	SCG296A011	SCG296A025	V	-	-	
					4	4	16,7	19,7	SCG296A012	SCG296A026	V	-	-	
	8	0,82	13,7	0	1,2	1,2	16,7	19,7	SCG296A013	SCG296A027	V	-	-	



OPTIONS

- Valves can also be supplied with FPM (fluoroelastomer) seals and diaphragm. Use the appropriate optional suffix letter for identification
- NPT thread
- Plug with visual indication and peak voltage suppression or with cable length of 2 m

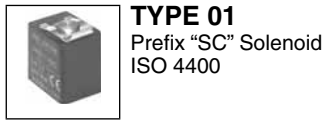
INSTALLATION

- The solenoid valves can be mounted in any position without affecting operation. However, for optimum performance it is recommended that they be fitted with the solenoid operator at the top.
- Solenoid valves have 2 or 4 mounting holes in body
- Pipe connection identifier is G = G (ISO 228/1)
- Installation/maintenance instructions are included with each valve

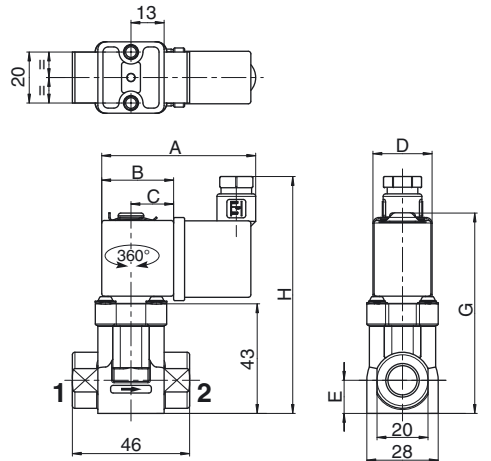
ORDERING EXAMPLES:

SC	G	296	A	007	24V / DC	
SC	G	296	A	021	24V / 50 Hz	
SC	G	296	A	025	V	230V / 50 Hz
prefix	pipe thread	basic number			voltage	suffix

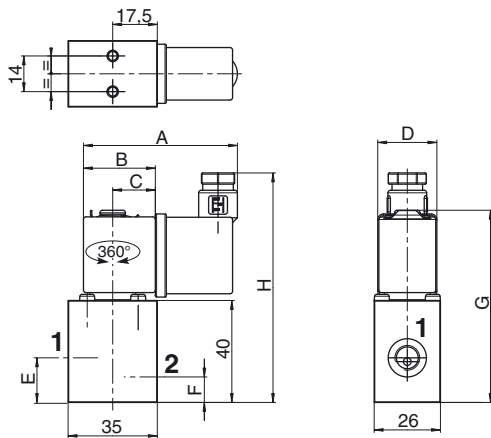
DIMENSIONS (mm), WEIGHT (kg)



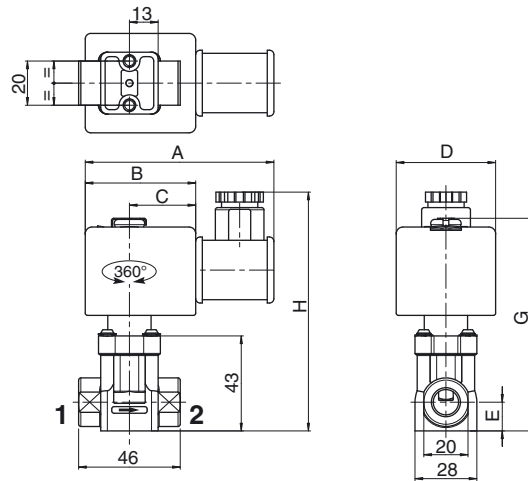
PEEK: SCG296A007



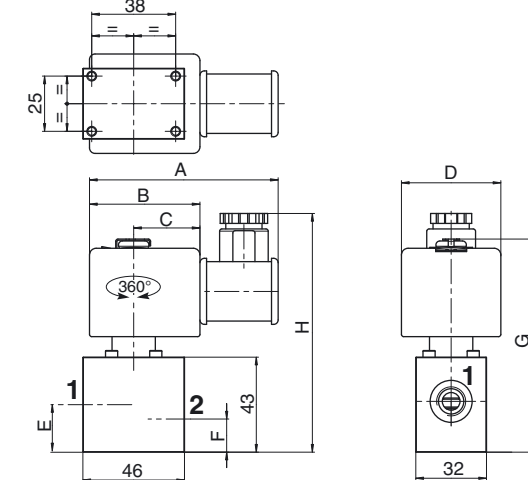
Stainless steel: SCG296A021



PEEK: SCG296A008/A009/A010/A011/A012/A013



Stainless steel: SCG296A022/A023/A024/A025/A026/A027



type	prefix option	catalogue number	A	B	C	D	E	F	G	H	weight ⁽¹⁾
01	SC	SCG296A007	60	28	17	22	13	-	79	94	0,145
		SCG296A021	60	28	17	22	17,5	10	76	91	0,310
02	SC	SCG296A008/A009/A010/A011/A012/A013	85	50	30	45	13	-	100	110	0,420
		SCG296A022/A023/A024/A025/A026/A027	85	50	30	45	21,5	15	100	110	0,650

⁽¹⁾ Incl. coil(s) and connector(s)..