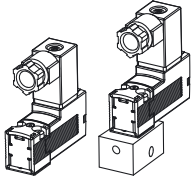
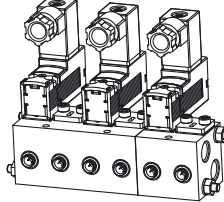
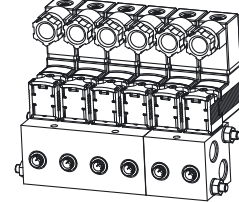


OPTIONS AND ACCESSORIES

- Additional subbase with 2 places (with seals): catalogue number **35500570**
- 2 tie-rods + nuts for a subbase with:
 - 4 places: catalogue number **88100752**
 - 6 places: catalogue number **88100753**
 - 8 places: catalogue number **88100754**
 - 10 places: catalogue number **88100755**
 - 12 places: catalogue number **88100756**
- Mounting kit for DIN rail (2 clips + screws + washers): catalogue number **88100757**
- Mating surface blanking plate: catalogue number **88130203**

AMBIENT TEMPERATURE RANGES

current type	power range	power coil		version	  
		inrush/holding (VA) ~	hot/cold (W) =		
DC (=)	LP2 ⁽¹⁾	-	1/1,2	standard	-25°C ; +60°C
		-	1,15/1,35	LED + protection	
	LP3 ⁽²⁾	-	2/2,65	standard	-25°C ; +50°C
		-	2,15/2,8	LED + protection	-25°C ; +40°C
AC (~)	LP2 ⁽²⁾	1,4/1,2	-	standard	-25°C ; +60°C
		1,8/1,6	-	LED + protection	
	LP3 ⁽²⁾	2,1/1,6	-	standard	-25°C ; +60°C
		2,5/2	-	LED + protection	-25°C ; +50°C

⁽¹⁾ Voltage: -15% / +20%

⁽²⁾ Voltage: -15% / +10%