

### FEATURES

- Valve for the control of aggressive liquids and gases in the pharmaceutical, biochemical, photographic, chemical and analytical industries, in chip and wafer production, environmental technology as well as colour chemistry
- The valve is suited for all applications in which the fluids must not come into contact with the metal parts (electromagnetic control of the solenoid valve)
- Bellows system made of PTFE and FFPM seals with high functional reliability
- The solenoid valves satisfy all relevant EC directives

### GENERAL

**Differential pressure** See «SPECIFICATIONS» [1 bar = 100 kPa]  
**Maximum viscosity** 40 cSt (mm<sup>2</sup>/s)

fluids (*)	temperature range (TS)	seal materials (*)
air, inert gases, water, oil and liquids	-10°C to + 90°C <sup>(1)</sup>	FFPM (perfluoroelastomer)

### MATERIALS IN CONTACT WITH FLUID

(\*) Ensure that the compatibility of the fluids in contact with the materials is verified

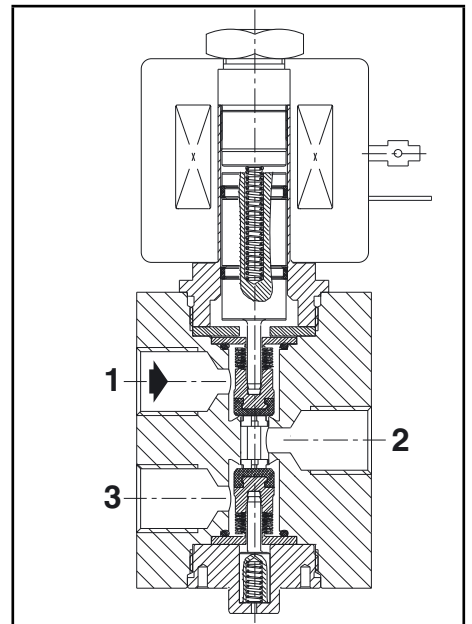
**Body** PEEK (polyetheretherketone) or stainless steel, AISI 303 (1.4305)  
**Core tube** Stainless steel  
**Core and plugnut** Stainless steel  
**Springs** Stainless steel  
**Seals** FFPM  
**Bellows** PTFE

### ELECTRICAL CHARACTERISTICS

**Coil insulation class** F  
**Connector** Spade plug (cable Ø 6-10 mm)  
**Connector specification** ISO 4400 / EN 175301-803, form A  
**Electrical safety** IEC 335  
**Electrical enclosure protection** Moulded IP65 (EN 60529)  
**Standard voltages** DC (=) : 24V

prefix option	power ratings			operator ambient temperature range (TS) (C°)	replacement coil		type <sup>(1)</sup>		
	inrush ~	holding ~	hot/cold =		~	=			
	(VA)	(VA)	(W)		(W)				
SC	-	-	-	9 / 11,2	-10 to + 75	-	24 V DC	400425-142	01

<sup>(1)</sup> Refer to the dimensional drawings on the following page.



### SPECIFICATIONS

pipe size	orifice size	flow coefficient Kv		operating pressure differential (bar)				power coil (W)		catalogue number		options			
				min.	max. (PS)		~					=	FFPM	EPDM	-
					air inert gas (*)	liquids (*)									
G	(mm)	(m <sup>3</sup> /h)	(l/min)							PEEK	stainless steel				
<b>NC - Normally closed</b>															
1/4	4	0,26	4,3	0	3	3	-	11,2		SCG396A006	SCG396A003	V	E	-	

### OPTIONS

- Valves can also be supplied with FPM (fluoroelastomer) and EPDM (ethylene-propylene) seals. Use the appropriate optional suffix letter for identification
- Plug with visual indication and peak voltage suppression or with cable length of 2 m

### INSTALLATION

- The solenoid valves can be mounted in any position without affecting operation. However, for optimum performance it is recommended that they be fitted with the solenoid operator at the top.
- Solenoid valves have 4 mounting holes in body
- Pipe connection identifier is G = G (ISO 228/1)
- Installation/maintenance instructions are included with each valve

### ORDERING EXAMPLES:

	SC	G	396	A	006		24V / DC
	SC	G	396	A	003		24V / 50 Hz
	SC	G	396	A	006	V	230V / 50 Hz
prefix							
pipe thread							
basic number							
							voltage
							suffix

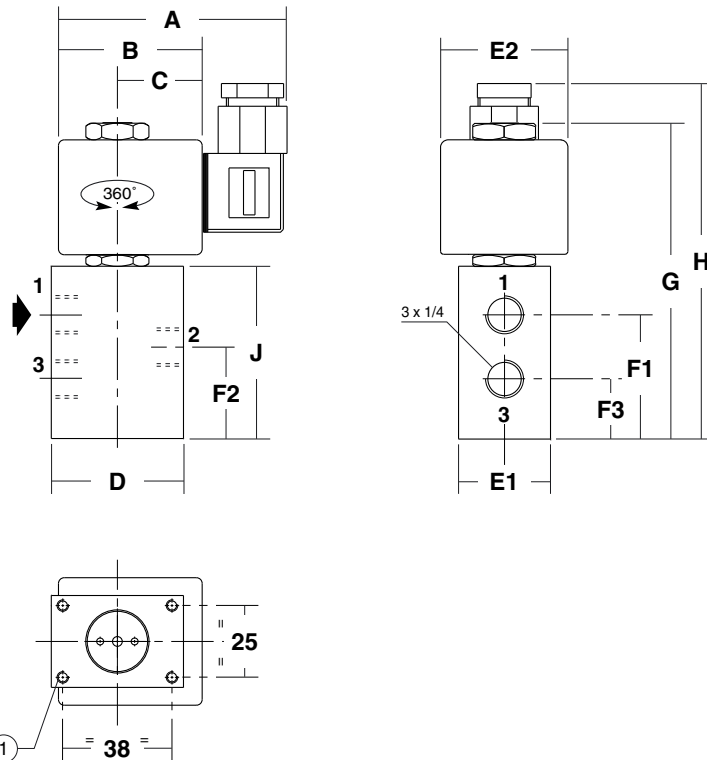
### DIMENSIONS (mm), WEIGHT (kg)



#### TYPE 01

Prefix "SC" Solenoid  
ISO 4400

PEEK: SCG396A006 PPS: SCG396A003



① 4 mounting holes Ø M4, depth 8 mm

type	prefix option	catalogue number	A	B	C	D	E1	E2	F1	F2	F3	G	H	J	weight <sup>(1)</sup>
01	SC	SCG396A006	80	50	30	46	32	45	43	32	21	110	127	60	0,49
		SCG396A003													0,90

<sup>(1)</sup> Incl. coil(s) and connector(s)..

All leaflets are available on: [www.aplisensor.com.ua](http://www.aplisensor.com.ua)