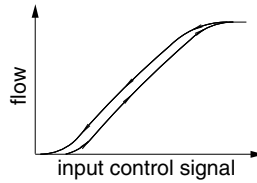


FEATURES

- Open loop proportional valves for automatic flow control of water and other non-corrosive liquids
- Special valve design to reduce pressure surges to a minimum, preventing waterhammer and ensuring noise-free closing
- The solenoid valves satisfy all relevant EC directives



GENERAL

Differential pressure See «SPECIFICATIONS» [1 bar = 100 kPa]
Maximum viscosity 40 cSt (mm²/s)

fluids (*)	temperature range (TS) ⁽¹⁾	seal materials (*)
water, oil	- 10°C to + 90°C	NBR (nitrile)

MATERIALS IN CONTACT WITH FLUID

(*) Ensure that the compatibility of the fluids in contact with the materials is verified

Body	Brass
Core tube	Stainless steel
Core and plugnut	Stainless steel
Springs	Stainless steel
Riderring	PTFE
Seals, diaphragm	NBR
Disc	FPM
Breaker piece	Stainless steel

ELECTRICAL CHARACTERISTICS

Coil insulation class F
Connector Spade plug (cable Ø 6-10 mm)
Connector specification ISO 4400 / EN 175301-803, form A
Electrical safety IEC 335
Electrical enclosure protection Moulded IP65 (EN 60529)
Standard enclosures DC (=) : 24V (Other voltages on request)

prefix option	operating current (mA)	power ratings				operator ambient temperature range (TS) ⁽²⁾ (C°)	replacement coil =	type ⁽¹⁾
		inrush ~ (VA)	holding ~ (VA)	hot/cold = (W)	holding = (W)			
SC	100 - 500	-	-	-	11 / 8	-20 to + 75	24 V DC 400429-040	01

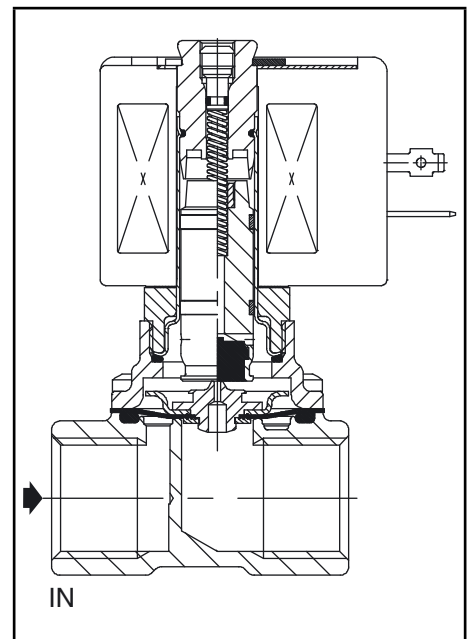
Voltage regulation 0 - 24 V DC
 24 V DC pulse width modulated (300 Hz)

Flow regulation characteristics ⁽³⁾ Hysteresis < 7,5 % ; Repeatability < 3 % ; Sensitivity < 2 %

SPECIFICATIONS

pipe size	orifice size (mm)	flow coefficient Kv (m ³ /h) (l/min)		operating pressure differential (bar)			power coil (W)	catalogue number	options			
				min.	max. (PS)				FPM	V	-	-
					vacuum =	oil (*) =						
NC - Normally closed												
3/8	12,5	2,1	35	0,3	10	10	8	SCG203B001	V	-	-	
1/2	12,5	2,1	35	0,3	10	10	8	SCG203B002	V	-	-	

⁽¹⁾ Refer to the dimensional drawings on the following page.
⁽²⁾ Damage may occur when liquids solidify above the specified minimum temperature.
⁽³⁾ Percentage of max. value with 24 V DC, P.W.M. 300 Hz, supply at constant differential pressure.



B

CE

OPTIONS

- Valves can also be supplied with FPM (fluoroelastomer) seals and discs
- Waterproof enclosure with embedded screw terminal coil according to protection class IP67, CEE-10
- Explosionproof enclosures for use in zones 1/21-2/22, categories 2-3 to ATEX Directive 94/9/EC, on request
- Electrical enclosures according to "NEMA" standards are available
- Mounting brackets
- Electronic proportional control unit (catalogue number: **E908A001**, see V150)

Features:

- analog input control signals: 0 - 10 V DC, 0 - 20 mA or 4 - 20 mA
- coil current (= flow rate) adjustable to required control signals
- switch-off function at less than 2% of the maximum control function
- adjustable ramp control
- adjustable frequency
- output current independent of coil resistance and supply voltage variations
- housed in: a box with spade plug connector according to ISO 4400 / IP65

INSTALLATION

- The solenoid valves can be mounted in any position without affecting operation. For optimum performance mount solenoid vertical and upright
- Threaded pipe connection is standard: G = G (ISO 228/1)
- Installation/maintenance instructions are included with each valve

SPARE PARTS KITS

catalogue number	spare parts kit no.	
	~	=
SCG203B001/B002	-	C132856

⁽¹⁾ Standard prefixes/suffixes are also applicable to kits.

- Not available

ORDERING EXAMPLES:

SC	G	203	B	001	24V / DC
SC	G	203	B	002	V 24V / DC

prefix — pipe thread — basic number — voltage — suffix

ORDERING EXAMPLES KITS:

C132856 ⁽¹⁾	V
C132856	

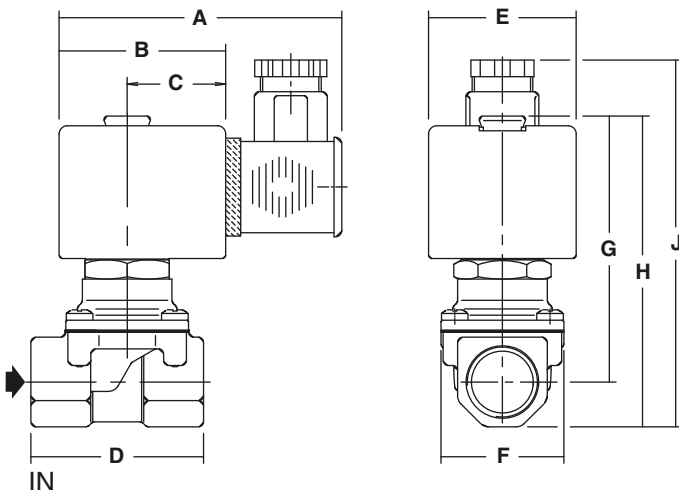
basic number — suffix

DIMENSIONS (mm), WEIGHT (kg)



TYPE 01

Prefix "SC" Solenoid
Epoxy moulded
IEC 335 / ISO 4400
IP65



type	prefix option	catalogue number	A	B	C	D	E	F	G	H	J	X	weight ⁽²⁾
01	SC	SCG203B001	85	50	30	52	45	37	80	94	105	-	0,65
		SCG203B002											

⁽²⁾ including coil and connector.

All leaflets are available on: www.aplisensor.com.ua