

FEATURES

- The diaphragm pulse valves are especially designed for dust collector service applications, combining high flow, long life and extremely fast opening and closing to produce reliable and economical operation
- The high flow, angle type bodies in combination with the special main diaphragm assemblies give the unique operating features required for dust collector service applications
- Integral compression fittings for fast, easy, secure installation
- Valves can be supplied according to ATEX Directive 94/9/EC for non-electrical equipment by using suffix GD
- The valves satisfy all relevant EC directives

GENERAL

Differential pressure (PS) 0,35 - 8,5 bar [1 bar = 100kPa]
Ambient temperature range -20 to +85°C

| fluids (*) | temperature range (TS) | diaphragm (*) |
|------------|------------------------|-----------------|
| air | -40 to +85 °C | TPE (3/4 und 1) |
| | -20 to +85 °C | CR (1 1/2) |

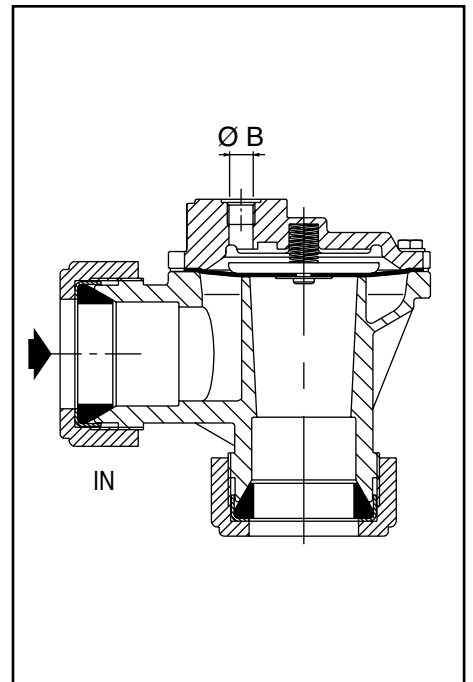
MATERIALS IN CONTACT WITH FLUID

(*) Ensure that the compatibility of the fluids in contact with the materials is verified

Body Aluminium / Stainless steel 316L
Spring Stainless steel
Diaphragm TPE (thermoplastic polyester elastomer oder CR (chloroprene)

PILOT SOLENOID VALVES (2/2 NC function)

| main pulse valve catalogue number | remote pilot connection | recommended executions | | |
|-----------------------------------|-------------------------|------------------------|--|----------------------------|
| | | orifice size (mm) | manifold pilot valves in a box (IP 65) | single pilot valves (IP20) |
| G353A041 | G 1/8 | 3,6 | pilot box series 110 2 to 12 pilots 1/8 | series 257 |
| G353-055 | | | | |
| G353A042 | | | | |
| G353-056 | | | | |
| G353A045 | G 1/4 | 5,6 | pilot box series C20 4 to 6 valves 1/4 | series 262 / 272 |
| G353-066 | | | | |



SPECIFICATIONS

| pipe size | remote pilot connection | orifice size | flow coefficient Kv | | operating pressure differential (bar) | | catalogue number | | FPM |
|--|-------------------------|--------------|---------------------|---------|---------------------------------------|----------------------|------------------|----------------------|-----|
| | | | | | min. | max. (PS) air (*) | | | |
| G | Ø B | (mm) | (m³/h) | (l/min) | ~/= | | aluminium | stainless steel 316L | |
| G - threaded pipe connection | | | | | | | | | |
| 3/4 | G 1/8 | 24 | 14 | 233 | 0,35 | 8,5 | G353A041 | G353A130 | V |
| 1 | G 1/8 | 27 | 17 | 283 | 0,35 | 8,5 | G353A042 | G353A131 | V |
| 1 1/2 | G 1/8 | 52 | 46 | 768 | 0,35 | 8,5 | G353A045 | - | V |
| Ø - Compression fitting pipe connection | | | | | | | | | |
| 3/4 | G 1/8 | 24 | 14 | 233 | 0,35 | 8,5 | G353-055 | - | V |
| 1 | G 1/8 | 27 | 17 | 283 | 0,35 | 8,5 | G353-056 | - | V |
| 1 1/2 | G 1/8 | 52 | 43 | 717 | 0,35 | 8,5 | G353-066 | - | V |

DP14242GB-2012/R01
Availability, design and specifications are subject to change without notice. All rights reserved.

OPTIONS

- Valves can also be supplied with FPM (fluoroelastomer) diaphragms and seals. Use the appropriate optional suffix letter for identification
- Sequential controller for pilot solenoid valves
- Pilot boxes containing 2 to 12 pilot solenoid valves
- Pilot solenoid valves can be equipped with explosionproof solenoids for hazardous locations according to "ATEX" and national standards

INSTALLATION

- The valves can be mounted in any position without affecting operation
- Threaded pipe connection is G (ISO 228/1) or compression fitting
- When connecting piping or tubing to the G1/8 connection in the valve bonnet, the remote ASCO pilot valve should be mounted as close as possible to the main pulse valve. Connection tubing lengths of 3 meter or less have little effect on the pulse response. Installations with over 3 meter of tubing must be tested under actual operating conditions. Tubing with Ø 6 mm O.D. is recommended for all installations
- For compression fitting types tightness is achieved by the compressed gasket on the blow tube
- Other pipe threads are available on request
- Installation/maintenance instructions are included with each valve
- Spare parts kits and replacement coils are available

DIMENSIONS (mm), WEIGHT (kg)

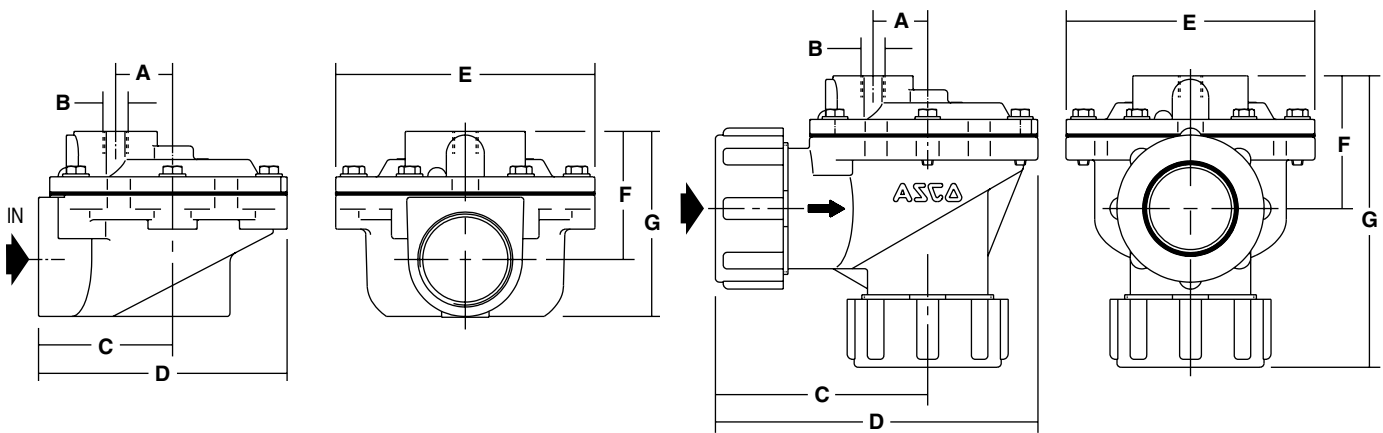


Fig. 1: Threaded pipe connection - aluminium

Fig. 2: Compression type fitting - aluminium

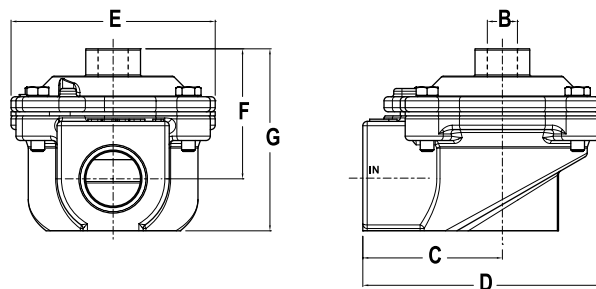


Fig. 3: Threaded pipe connection - Stainless steel

| catalogue number | A | B | C | D | E | F | G | weight (1) | (C) |
|------------------|----|-------|-----|-----|-----|----|-----|------------|--------|
| G353A041 | - | G 1/8 | 51 | 89 | 75 | 41 | 65 | 0,45 | Fig. 1 |
| G353A042 | - | G 1/8 | 51 | 89 | 75 | 41 | 64 | 0,4 | Fig. 1 |
| G353A045 | 30 | G 1/4 | 71 | 130 | 136 | 71 | 98 | 1 | Fig. 1 |
| G353-055 | - | G 1/8 | 88 | 125 | 75 | 47 | 109 | 0,58 | Fig. 2 |
| G353-056 | - | G 1/8 | 88 | 124 | 75 | 47 | 129 | 0,61 | Fig. 2 |
| G353-066 | 30 | G 1/4 | 117 | 177 | 136 | 73 | 161 | 1,33 | Fig. 2 |
| G353A130 | - | G 1/8 | 51 | 89 | 75 | 41 | 64 | 0,92 | Fig. 3 |
| G353A131 | - | G 1/8 | 51 | 89 | 75 | 41 | 64 | 0,87 | Fig. 3 |

(C) Construction type

All leaflets are available on: www.aplisensor.com.ua