

FEATURES

- Immersion tank system using steel profile and welded end covers with CE approval according to Directive 87/404/EC
- Immersed valve system with special diaphragm design offers highest peak pressure and best flow performance operating features required for dust collector applications
- The high quality diaphragms are reinforced and wear resistant to guarantee a long operating life, even under harsh conditions
- Possibility to apply different combinations of pitch distances
- Service connections for different accessories such as: filter regulator, pressure gauge, safety valve and automatic/manual drain valve
- Available with hose and threaded blow pipe connections

GENERAL

Differential pressure (PS) 0,35 to 8 bar [1 bar = 100kPa]

Ambient temperature range -10 to +80°C

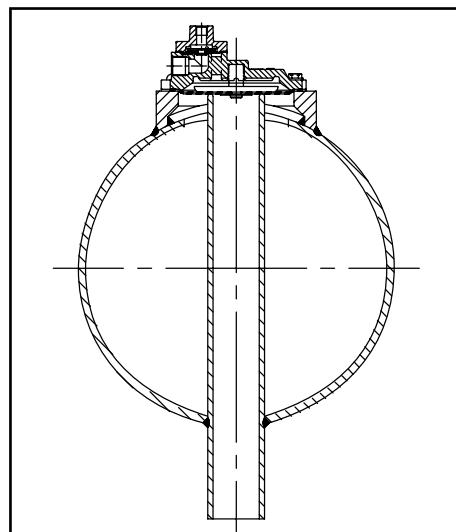
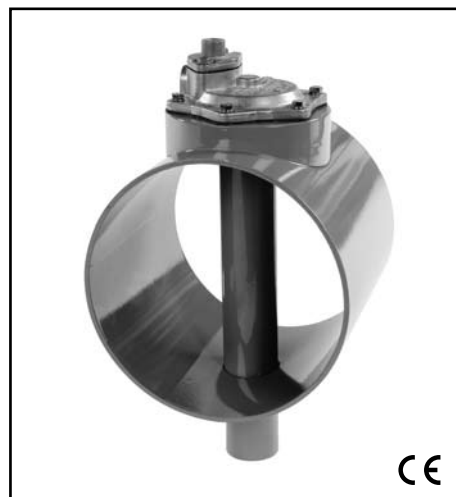
fluid	temperature range (TS)	seal materials
air	-10 to +80°C	CR (chloroprene)

CONSTRUCTION

Tank	Steel, grey
Bonnet	Aluminium
Bolts	Stainless steel
Sealing & Diaphragm	NBR (nitrile) CR (chloroprene)

PILOT SOLENOID VALVES (2/2 NC function)

pipe size	main pulse valves	remote pilot connection	recommended executions		
			orifice size (mm)	manifold pilot valves in a box (IP 65)	single pilot valves (IP20)
1"	G357AGxx G357AHxx	G1/8	3,6	pilot box series 110 2 to 12 valves 1/8	series 257
1 1/2"	G357APxx G357AQxx				
2"	G357AYxx G357AZxx	G1/4	5,6	pilot box series C20 4 to 6 valves 1/4	-



SPECIFICATIONS

pipe size	orifice size (mm)	flow coefficient Kv (m³/h) (l/min)		operating pressure differential (bar)			catalogue number	
				min	max. (PS)		hose	threaded
					air	~ / =		
6" Tank System								
1"	25	17	283	0,35	8	G357AGxx ^{(1) (2)}	G357AHxx ^{(1) (2)}	
8" Tank System								
1 1/2"	40	46	768	0,35	8	G357APxx ^{(1) (2)}	G357AQxx ^{(1) (2)}	
10" Tank System								
2"	66	77	1290	0,35	8	G357AYxx ^{(1) (2)}	G357AZxx ^{(1) (2)}	

⁽¹⁾ Standard tank has round ends. For flat ends use suffix FE

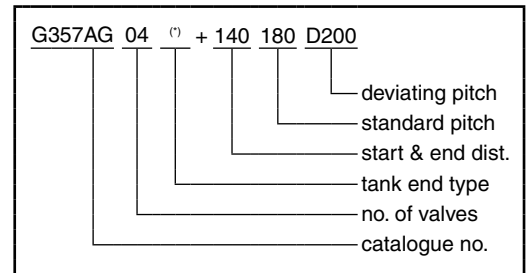
⁽²⁾ xx indicates the number of valves

ORDERING

Example: Dimension code for a 4 valves tank system:

Tank diameter	6"
Operator	Remote
Pipe size	1"
Connection	Hose (see fig. 1: Connection Type)
Number of valves	4 pcs
Start and End distance	140 mm
Standard pitch	180 mm
Deviating pitch	Between valve no. 3 and no. 4 is position D (see fig. 1) 200 mm
Catalogue number	G357AG04 24V/DC
Dimension code	140180D200

ORDERING EXAMPLE TANK SYSTEM:



DIMENSIONS (mm)

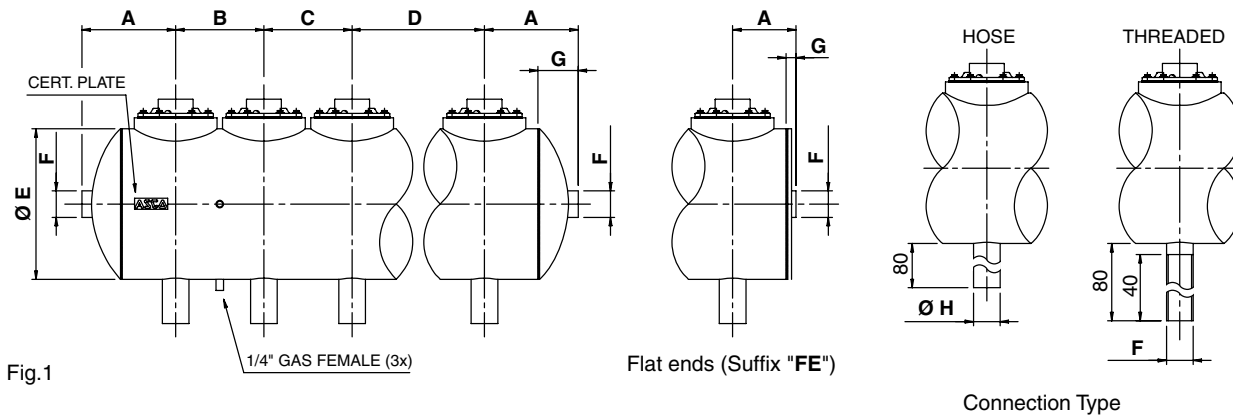


Fig.1

Flat ends (Suffix "FE")

Connection Type

tank diameter	fig.	A		B / C / D		A		Ø E	F	G		Ø H
		min. start distance (round)	(flat)	minimum pitch (round)	(flat)	min. end distance (round)	(flat)					
6"	1	140	105	120	120	140	105	168,3	G 1"	50	15	33,4
8"		170	118	160	160	170	118	218,1	G 1 1/2"	70	18	48,3
10"		205	133	185	185	205	133	273,0	G 2"	90	18	48,3

(*) For standard tank (round ends) use no suffix, for flat ends use suffix FE

MOUNTING BRACKETS

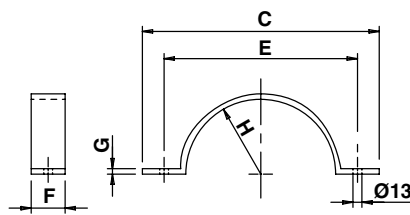


Fig.2 - Contra bracket

tank diameter	fig.	C	Ø E	F	G	H
6"	2	292	230	50	8	84
8"		348	284	50	8	110
10"		424	350	50	8	136

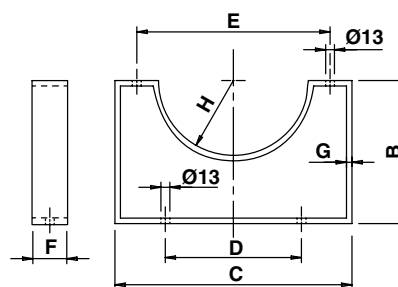


Fig.3 - Bracket

tank diameter	fig.	B	C	D	Ø E	F	G	H
6"	3	170	292	150	230	50	8	84
8"		210	348	200	284	50	8	110
10"		161	424	250	350	50	8	136

INSTALLATION

- Tank System can be mounted in any position. We can supply standard mounting brackets with each tank by specifying suffix MB behind the catalogue number (see figure 2 and 3)
- Installation / maintenance instructions and declaration of conformity are included with each tank system
- Spare part kits and coils are available