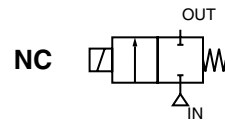




# PILOT VALVE BOXES

for explosive atmospheres, zone 22  
II 3 D IP65 T85°C to T200°C  
4 to 6 valves



2/2  
Series  
C20

## FEATURES

- Pilot box intended for use in potentially explosive dusty atmospheres, according to Directive ATEX 94/9/EC
- Compliance with the Essential Health and Safety Requirements has been assured by European Standards EN 50014, EN 50281-1-1 and EN 13463-1
- Containing 4 to 6 valves, 2/2 normally closed, direct operated
- Pilot valves are assembled in base plate
- Heating element for trouble free operation at low ambient temperatures
- Class of protection: IP65
- The components satisfy all relevant EC directives

## GENERAL

**Differential pressure (PS)** 0 - 7 bar [1 bar = 100kPa]

**Response times** 5 - 25 ms

fluid	temperature range (TS)	seal material
air	-20 to +80°C	NBR (nitrile)

## CONSTRUCTION

<b>Base-plate</b>	Steel (zinc plated)
<b>Cover</b>	Aluminium
<b>Core tube</b>	Stainless steel
<b>Core and plugnut</b>	Stainless steel
<b>Spring</b>	Stainless steel
<b>Disc</b>	NBR (nitrile)
<b>Pilot body</b>	Brass
<b>Shading coil</b>	Copper
<b>Coil insulation class</b>	F
<b>Electrical connection</b>	Coil with screw terminal

## ELECTRICAL CHARACTERISTICS

**Standard voltages** DC (=) 24V  
AC (-) 24V - 115V - 230V/50Hz

coil type	nominal power ratings				ambient temperature range (2) (°C)	protection
	inrush ~ (VA)	holding ~ (VA)	cold = (W)	holding = (W)		
SMXX-FB	56	35	16,7	-	-15 to +75	moulded
SMXX-FI (1)	-	-	-	30	-15 to +75	moulded

## TEMPERATURE CLASSIFICATION TABLES

AC (-) Solenoids

power level (watt)	isolation class	maximum ambient °C surface temperature		
		85°C	100°C	135°C
16,7	F	40°C	60°C	75°C

DC (=) Solenoids

power level (watt)	isolation class	maximum ambient °C surface temperature		
		85°C	100°C	135°C
30,0	F	40°C	60°C	75°C

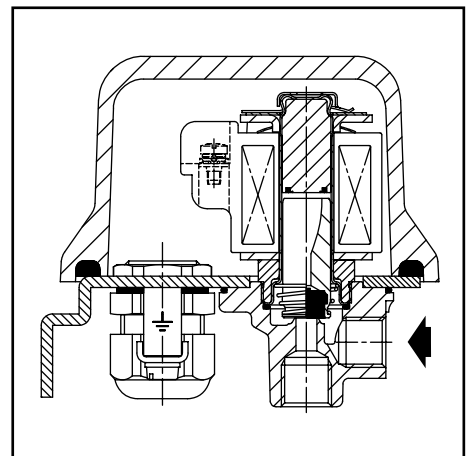
## SPECIFICATIONS

number of pilot valves	pipe size Rp	orifice size (mm)	flow coefficient kv (m³/h) (l/min)		operating pressure differential (bar)		catalogue number for ATEX approved boxes (2)	
					min.	maximum (PS)	without heating	with 1 heating element (3)
4	1/4	5,6	0,71	11,8	0	7	DU C204-220	DU C204-221
5							DU C205-220	DU C205-221
6							DU C206-220	DU C206-221

(1) Intermittent duty, Relative Duty Time is 10%. Max on time 1 min.

(2) Without heating elements: minimum ambient temperature 0°C; with one heating element: -15°C

(3) Heating element: refer to "Ordering Information". Heating element rating: 80 watt.



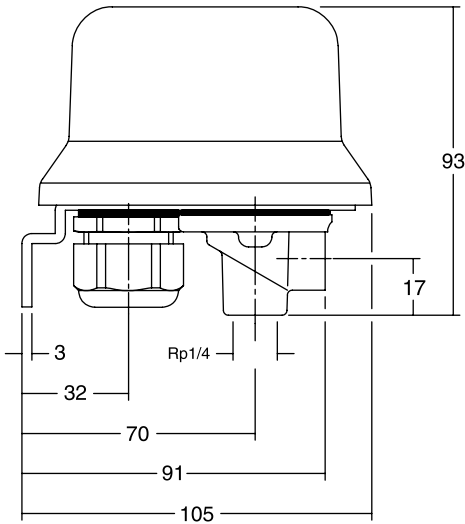
### OPTIONS

- Heating element for low ambient temperatures -40°C
- Special customer adapted executions on request

### INSTALLATION

- The pilot boxes can be mounted in any position without affecting operation
- Pipe connections are: Rp 1/4 according to ISO 7/1 for pilot connection
- Cable entries: control cable on box : cable Ø 9 - 16 mm  
connection cable heating element : cable Ø 7 - 12 mm
- Spare parts kit and replacement coils are available

### DIMENSIONS (mm), WEIGHT (kg)



### ORDERING INFORMATION

DU C20 6 - 2 2 0 230/50

Volts / Hz

Optional execution

0 = no heating element  
1 = element with same voltage as coils. If coil voltage deviates from heating element voltage, please consult us for exact codification

Pipe size Rp 1/4

Coil type only SMXX

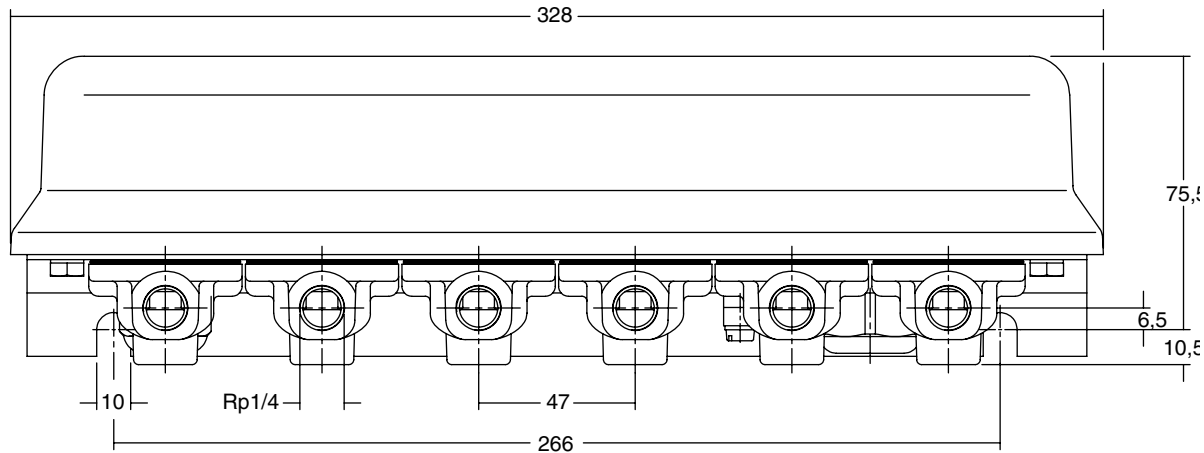
Change letter

Number of pilots

4 = 4 pilot valves  
5 = 5 pilot valves  
6 = 6 pilot valves

Basic number C20

Approval according to Directive ATEX 94/9/EC



pipe connections	weight
C204	3,7
C205 Rp 1/4	4,1
C206	4,6

All leaflets are available on: [www.aplisensor.com.ua](http://www.aplisensor.com.ua)