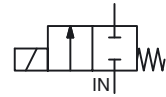




SOLENOID VALVES

pilot operated
for liquid CO₂ applications
1/8

NC



2/2
Series
264

FEATURES

- The valves are designed for the control of liquid CO₂ in applications such as low temperature tumbling barrels, environmental test chambers and other cooling applications where constant low temperature control is essential
- Valves do not require a minimum operating pressure and have a high operating pressure as indicated
- Valve operation is not affected by mounting position
- The solenoid valves satisfy all relevant EC Directives

GENERAL

Differential pressure 0 - 70 bar [1 bar = 100 kPa]
Maximum viscosity 65 cSt (mm²/s)
Response time 5 - 25 ms

fluids (*)	temperature range (TS)	seal materials (*)
CO ₂ , liquid / gas	- 60°C to + 60°C	UR (cast urethane)



MATERIALS IN CONTACT WITH FLUID

(*) Ensure that the compatibility of the fluids in contact with the materials is verified

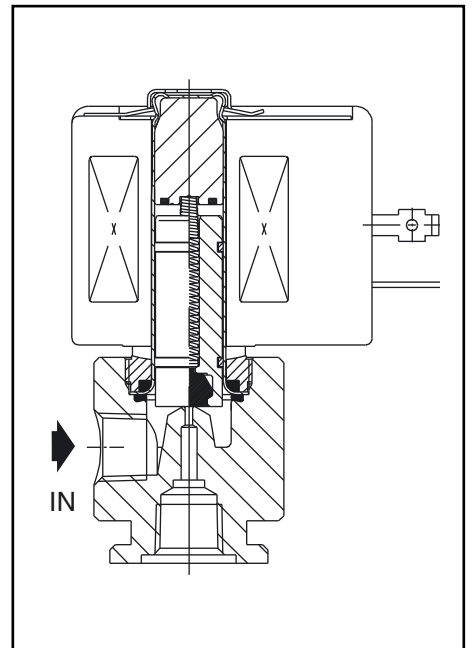
Body Brass (nickel plated)
Core tube Stainless steel
Core and plugnut Stainless steel
Spring Stainless steel
Seat Brass
Seals UR
Disc UR
Shading coil Copper

ELECTRICAL CHARACTERISTICS

Coil insulation class F
Connector Spade plug (cable Ø 6-10 mm)
Connector specification ISO 4400 / EN 175301-803, form A
Electrical safety IEC 335
Electrical enclosure protection Moulded IP65 (EN 60529)
Standard voltages DC (=) : 24V - 48V
 (Other voltages and 60 Hz on request) AC (~) : 24V - 48V - 115V - 230V / 50 Hz

prefix option	power ratings				operator ambient temperature range (TS) (C°)	replacement coil		type ⁽¹⁾
	inrush ~	holding ~		hot/cold =		~	=	
	(VA)	(VA)	(W)	(W)		230 V/50 Hz	24 V DC	
SC	37,6	28	13,8	9,5/15,3	-20 to + 50	400325-217	400325-242	01

⁽¹⁾ Refer to the dimensional drawings on the following page.



SPECIFICATIONS

pipe size	orifice size	flow coefficient Kv		operating pressure differential (bar)				power coil (W)		catalogue number
				min.	max. (PS)		CO ₂ liquid / gas (*)			
					~	=				
NPT	(mm)	(m ³ /h)	(l/min)							~/=
NC - Normally closed										
1/8	1,2	0,05	0,83	0	70	70	13,8	15,3	SCB264D009	
	2,4	0,17	2,83	0	20	20	13,8	15,3		

00119GB-2011/R01 Availability, design and specifications are subject to change without notice. All rights reserved.

OPTIONS

- Waterproof enclosure with embedded screw terminal coil according to protection class IP67, CEE-10
- Compliance with "UL", "CSA" and other local approvals available on request
- Other pipe connections are available on request
- Plug with visual indication and peak voltage suppression or with cable length of 2 m (see Solenoids, Coils & Accessories section)

INSTALLATION

- Install tubing with an inside diameter not larger than the valve orifice in the outlet port to locate the refrigeration point down stream of the valve and to prevent freezing of the expanding CO₂ inside the valve body
- The solenoid valves can be mounted in any position without affecting operation
- Valves are provided with a mounting flange and threaded connection in the outlet of the body
- Pipe connection identifier is B = NPT (ANSI 1.20.3)
- Installation/maintenance instructions are included with each valve

SPARE PARTS KITS

catalogue number	spare parts kit no.	
	~	=
SCB264D009/D010	C302850	C302854

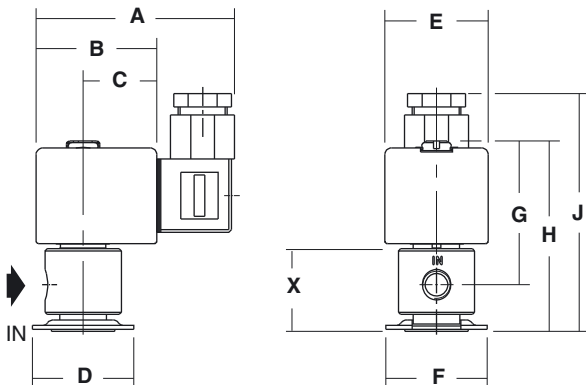
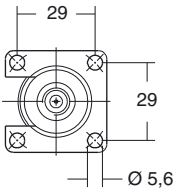
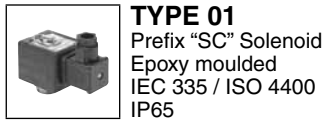
ORDERING EXAMPLES:

SC	B	264	D	009	230V / 50 Hz
SC	B	264	D	010	24V / DC
prefix	pipe thread	basic number			voltage
					suffix

ORDERING EXAMPLES KITS:

	C302850
basic number	

DIMENSIONS (mm), WEIGHT (kg)



type	prefix option	A	B	C	D	E	F	G	H	J	X	weight ⁽¹⁾
01	SC	75	45	27	38	39	38	55	71	88	31	0,4

⁽¹⁾ including coil and connector.