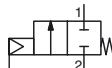
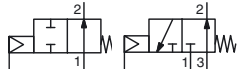




VALVES

pressure operated
for superheated water and steam applications
1/2 .. 2 / DN 15 .. DN 80

NC  - **2/2-3/2**
Series
165
166
(AD)
NO 

FEATURES

- Differential-action valve for high-pressure control at reduced pilot pressure
- Powerful spring and large diaphragm ensuring reliable operation
- Heavy-duty valve recommended for steam applications

GENERAL

Differential pressure: [1 bar = 100 kPa]
Steam 0 to 10 bar (types 01-02-03-04)
Superheated water 0 to 16 bar (type 03)
Maximum allowable pressure: 16 bar (types 01-02-04)
25 bar (type 03)

fluids	max. temperature (TS)	types
steam	+ 184°C	01-02-03-04
superheated water	+ 184°C	03

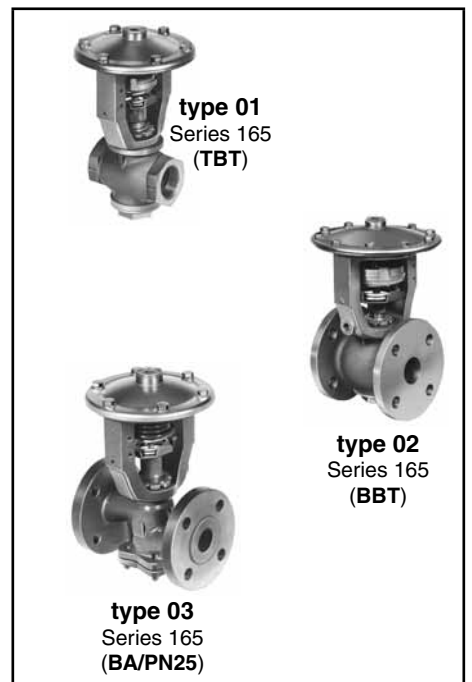


2/2 CONSTRUCTION

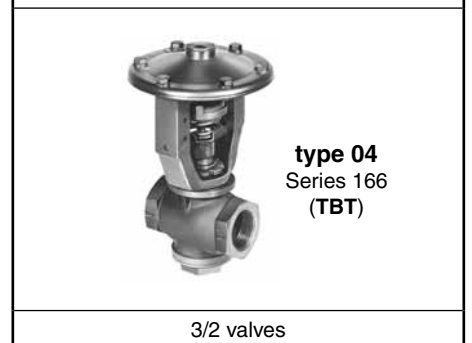
	Bronze body	Steel body
Body	Bronze	Steel
Connection:		
Threaded	1/2 to 2 (type 01)	-
Flanges (PN16)	DN 15 to 80 (type 02)	-
Flanges (PN25)	-	DN 15 to 50 (type 03)
See catalogue page:		
Threaded	V473	-
Flanges (PN16)	V474	-
Flanges (PN25)	-	V477

3/2 CONSTRUCTION

	Bronze body
Body	Bronze
Connection:	
Threaded	1/2 to 2 (type 04)
See catalogue page:	
Threaded	V773



2/2 valves



3/2 valves