

SM-6000 S2 Series

rotork[®]
Process Controls



SM Series - Heavy Duty Electric Rotary Actuators

Rotork Process Controls designs and manufactures high quality, durable actuators designed for trouble-free performance under the most demanding conditions.

With its field-proven design, the SM-6000 S2 is a perfect fit for all of your high performance requirements. The SM-6000 S2 Series are rotary actuators internally geared to produce up to 26,000 ft. lbs. (35,251 Nm) of torque at unrestricted, continuous modulating duty.

These actuators are ideally suited for dampers, vanes, valves and other process control applications requiring high speed, high torque and exact positioning control.

The SM-6000 S2 actuator features a menu-driven non-intrusive setup using control knobs and vacuum fluorescent display. These controls are also used to programme the internally mounted digital amplifier.

Features:

- From 90° to 313° rotation.
- Torque range up to 35,256 Nm (26,000 lbf-ft).
- Double O-ring sealing.
- Continuous unrestricted modulating duty.
- Temperature range from -40 to +85 °C (-40 to +185 °F).
- Automatic torque limiting.
- Self-locking drive system to hold in last position and prevent backdriving.
- Manual override standard.
- HART, Profibus and Foundation Fieldbus available.



SM-6000 S2 Series

SM-6000 S2

Applications:

- ID Inlet Vane Dampers
- FD Inlet Vane Dampers
- Secondary Air Dampers
- Cyclone Boilers
- Windbox Dampers
- Re-heat Air Dampers
- Flue Gas Recirculation Dampers
- Booster Fan Dampers
- Cold/Hot Dampers
- Tempering Air Dampers
- Burner Tilts



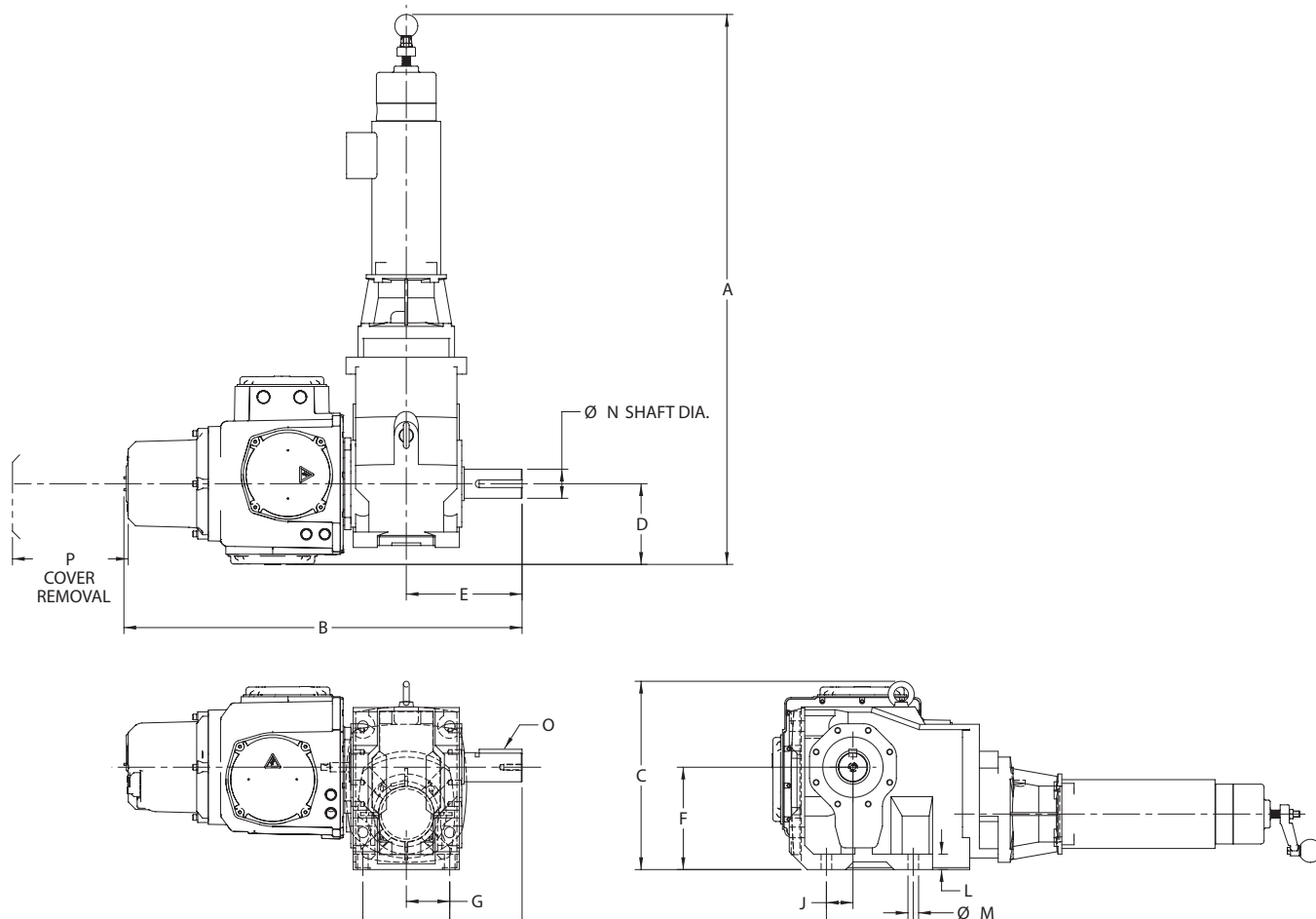
Popular Options:

- Extended temperature ranges with remote mounted enclosure to 113 °C (225 °F)
- Drive arm, adapter/clevis kit, driven arm and linkage components
- Additional position limit switches
- Pilot lights, switches, relays
- Faster speeds are available
- Motor-up mounting for tight space applications
- Mechanical position stop plate
- Retrofit Packages
- Various enclosure coatings
- Power failure operation, RP-4000

Speed/Torque Chart		
Actuator Model	Maximum Output Speed*sec./90°	Output Torque ft. lb. (Nm)
SM-6003	10	370 (502)
SM-6005	10	550 (746)
SM-6008	10	800 (1085)
SM-6014	10	1400 (1898)
SM-6025	10	2500 (3389)
SM-6044	10	4400 (5965)
SM-6062	10	6200 (8406)
SM-6080	12	8000 (10846)
SM-6110	18	11000 (14914)
SM-6165	26	16500 (22371)
SM-6260	42	26000 (36540)



SM-6000 S2 MAJOR DIMENSIONS



Model	Speed / Torque (Nm)	A	B	C	D	E	F	G	H	I	J	K	L	M	N	O	P
SM-6003	10/370 (502)	37.60	26.63	12.49	6.58	5.32	5.91	2.36	4.74	2.95	3.50	10.88	1.50	0.56	1.25	0.25	8.0
SM-6005	10/550 (746)	37.60	27.06	12.49	6.58	5.75	5.91	2.36	4.74	3.39	3.50	10.88	1.50	0.56	1.38	0.25	8.0
SM-6008	10/800 (1085)	38.47	28.24	12.59	6.58	6.34	6.01	2.25	4.50	4.09	4.50	13.00	0.50	0.56	1.38	0.31	8.0
SM-6014	10/1400 (1898)	39.24	30.17	14.41	6.58	7.72	7.84	3.25	6.50	4.47	5.38	14.50	0.75	0.81	1.75	0.38	8.0
SM-6025	10/2500 (3390)	44.84	32.49	15.35	6.58	9.45	8.35	3.54	7.09	5.90	2.17	7.08	1.28	0.87	2.38	0.63	8.0
SM-6044	10/4400 (5966)	53.83	35.64	18.78	6.58	11.42	10.43	4.72	9.45	6.69	2.95	9.45	1.50	1.02	2.88	0.75	8.0
SM-6062	10/6200 (8407)	63.67	38.87	21.97	7.87	13.66	12.40	5.31	10.63	8.35	3.74	11.02	1.65	1.30	3.63	0.88	8.0
SM-6080	12/8000 (10848)	71.23	42.84	29.09	8.86	16.45	14.76	6.50	12.99	9.96	4.53	13.78	1.77	1.54	4.38	1.00	8.0
SM-6110	18/11,000 (14916)	71.23	42.84	29.09	8.86	16.45	14.76	6.50	12.99	9.96	4.53	13.78	1.77	1.54	4.38	1.00	8.0
SM-6165	26/16,500 (22374)	73.79	45.87	32.40	9.84	17.99	17.72	8.27	16.54	9.72	5.51	14.96	1.97	1.54	4.75	1.25	8.0
SM-6260	42/26,000 (35256)	80.48	51.98	36.54	12.40	21.85	19.69	9.45	18.90	12.41	7.87	21.26	1.97	1.30	5.50	1.25	8.0

All dimensions in inches.

A full listing of our worldwide sales and service network is available on our website.

UK
Rotork plc
tel +44 (0)1225 733200
fax +44 (0)1225 333467
email mail@rotork.co.uk

USA
Rotork Process Controls
tel +1 (414) 461 9200
fax +1 (414) 461 1024
email rpcinfo@rotork.com

Controls

Electric Actuators and Control Systems

Fluid Systems

Fluid Power Actuators and Control Systems

Gears

Gearboxes and Gear Operators

Site Services

Projects, Services and Retrofit