

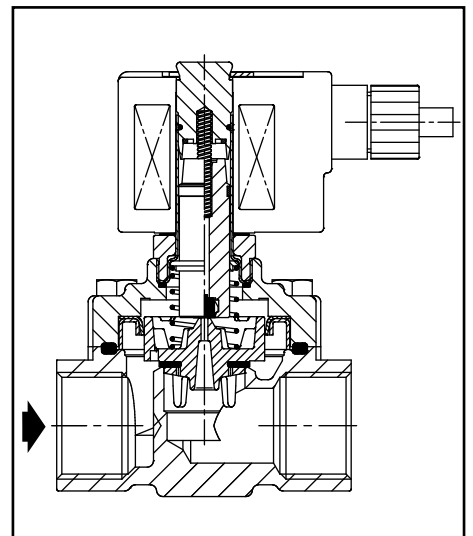
### FEATURES

- The proportional petrol dispensing valves can handle a variable flow of petrol, proportional to the control signal. Frequently used for blending applications.
- The high quality polyphenylene sulfide piston guarantees a long operating life and a wide temperature range. Hydrocarbon resistant FPM seal for tight shut off
- Explosion proof operator, intended for use in potentially explosive areas, according to Directive ATEX 94/9/EC
- Easy electrical installation by means of the moulded-in supply cable, standard length of 2 meter
- ASCO Numatics components satisfy all relevant EC directives

### GENERAL

**Differential pressure** 0,3 - 3,5 bar [1 bar = 100kPa]  
**Ambient temperature range** -40 to +70°C

fluids (*)	temperature range (TS)	seal materials (*)
Petrol & Liquid fuels	-40 to +70°C	FPM (fluoroelastomer)



### MATERIALS IN CONTACT WITH FLUID

(\*) Ensure that the compatibility of the fluids in contact with the materials is verified

<b>Body</b>	Brass
<b>Bonnet</b>	Brass
<b>Core tube</b>	Stainless steel
<b>Core and plugnut</b>	Stainless steel
<b>Core disc</b>	FPM
<b>Core guide</b>	POM
<b>Rider ring</b>	PFTE
<b>Springs</b>	Stainless steel
<b>Piston</b>	PPS
<b>Piston disc</b>	FPM
<b>Lip seal</b>	PFTE
<b>Piston support</b>	Brass

### ELECTRICAL CHARACTERISTICS

**Coil insulation class** F  
**Electrical safety** IEC 335  
**Standard voltages** DC (=) 24V - 48V

prefix option	power ratings		operator ambient temperature range (TS) (C°)	safety code	electrical enclosure protection (EN 60529)	replacement coil		type <sup>(1)</sup>
	holding ~ (W)	hot/cold = (W)				~	=	
						230V/50/60 Hz	24V/DC	
PV	-	9,0 / 11,2	-40 to +60	II 2 G Ex mb II T4	moulded IP67	-	<sup>(2)</sup>	01
SC	-	9,0 / 11,2	-40 to +55	EN 60730	moulded IP65	-	400425-142	02

<sup>(1)</sup> Refer to the dimensional drawings on page 16

<sup>(2)</sup> Multiple coils kits available under ATEX, contact us  
 - Not available

### SPECIFICATIONS

pipe size	orifice size (mm)	flow coefficient Kv (m³/h) (l/min)		operating pressure differential (bar) min max. PS =		prefix optional solenoids *							basic catalogue number
						NEMA 7&9	ATEX / IECEx				IP65		
							Ex d	Ex e mb	Ex mb	EEx nA		SC	
G	(mm)	(m³/h)	(l/min)	min	max. PS =	EF	NF	EM	PV	ZN	SC		
<b>NC - Normally closed</b>													
3/4	20	3,9	65	0,3	3,5	-	-	-	●	-	●	G291A111	

● Available feature  
 - Not available

\* For description of solenoids see pages 31-40

### ADDITIONAL OPTIONS

- Other explosionproof enclosures for use in zone 1/21-2/22, categories 2-3 to ATEX Directive 94/9/EC
- Explosionproof and watertight solenoids according to "NEMA" standards

### INSTALLATION

- The valves can be mounted in any position without affecting operation
- Pipe connection identifiers: G = pipe thread according to ISO 228/1
- Installation/maintenance instructions are included with each valve
- PV solenoids have a standard cable length of 2 meters. Other lengths in full meters are available on request

### DIMENSIONS (mm), WEIGHT (kg)



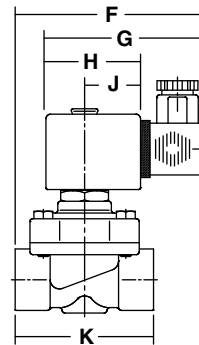
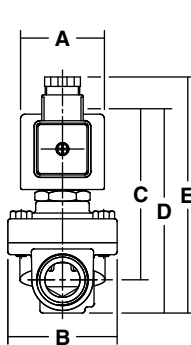
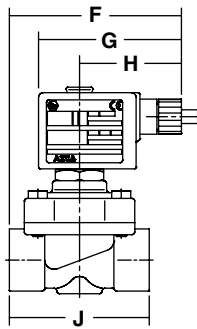
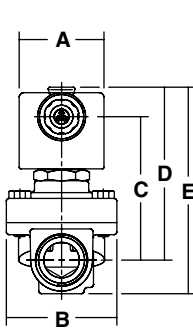
**TYPE 01**  
Prefix "PV" Solenoid  
Epoxy encapsulated  
EN-IEC 60079-0, 60079-18, 61241-0, 61241-18  
II 2 G/D Ex mb II / Ex mD  
IP67



**TYPE 02**  
Prefix "SC" Solenoid  
Epoxy moulded  
IEC 335 / ISO 4400  
IP65

G291A111

G291A111



type	AC/DC	prefix option	catalogue number	spare parts kits	A	B	C	D	E	F	G	H	J	K	weight
01	=	PV	G291A111	PVC117691	45	58	75	91	108	90	75	54	73	-	1,2 Kg
02	=	SC	G291A111	C117691	45	58	91	108	125	102	85	50	30	73	1,1 Kg